
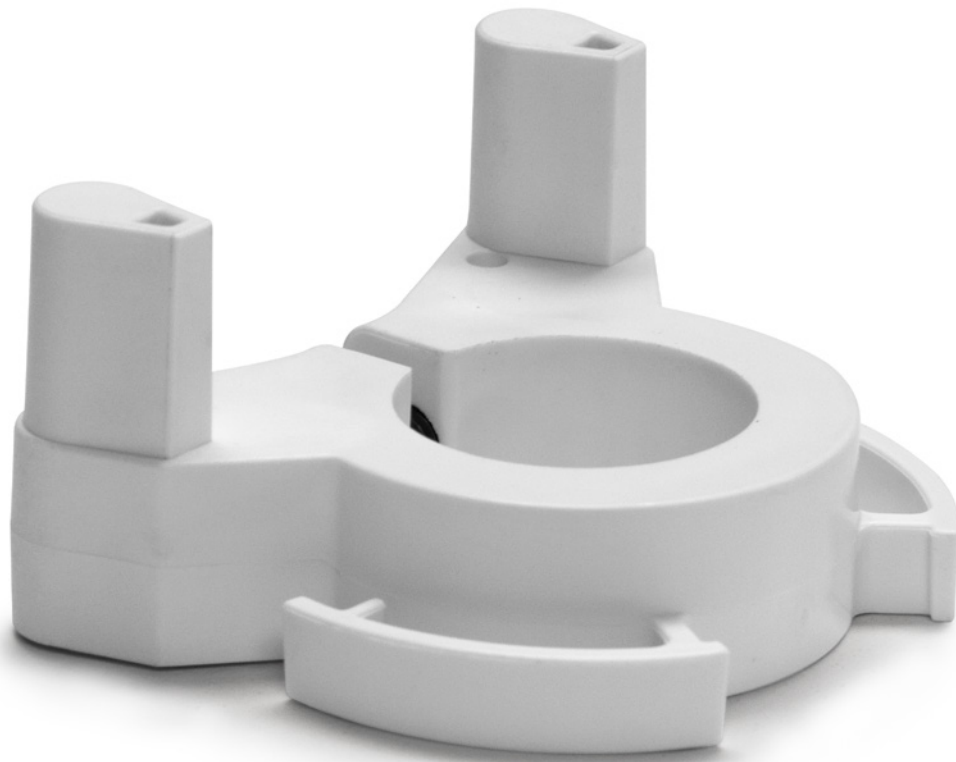




INTERNATIONAL
SOURCE FOR
ERGONOMICS

A  COMPANY



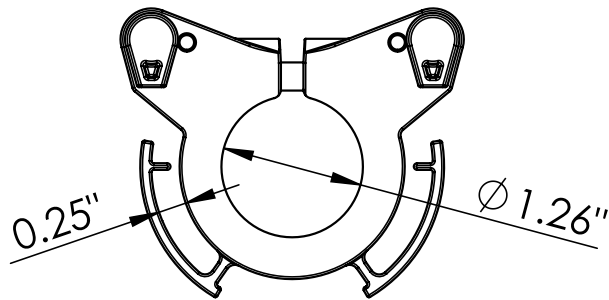
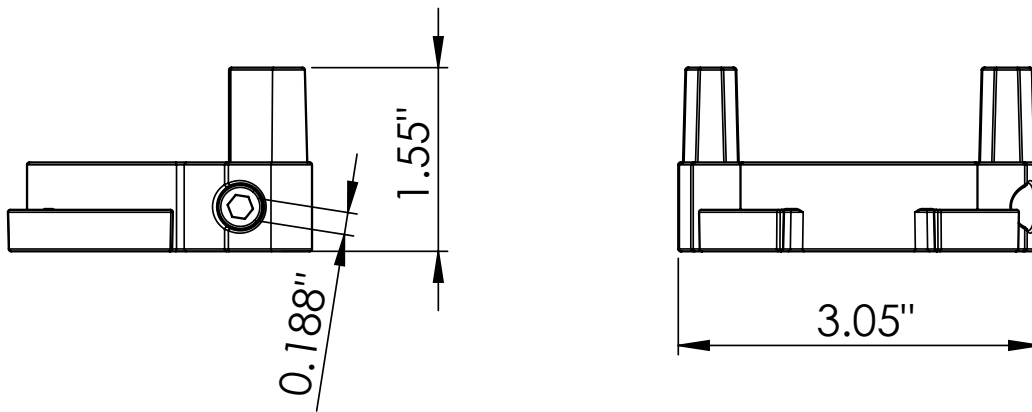
7210W

Concerto Rotation Limiter

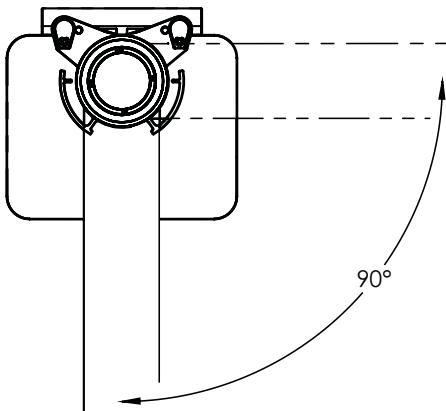
As working spaces reduce in size, monitor supports are increasingly constrained in their ability to move freely. The Concerto rotation limiter prevents the arms from accidentally hitting walls or back panels, providing peace of mind and safety to the user and everyone around. It is backwards compatible and adjustable to any Concerto model.



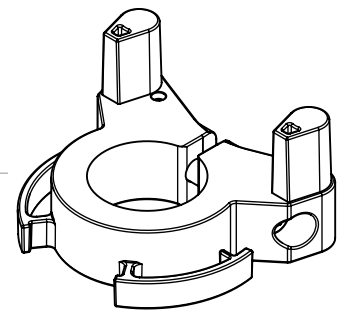
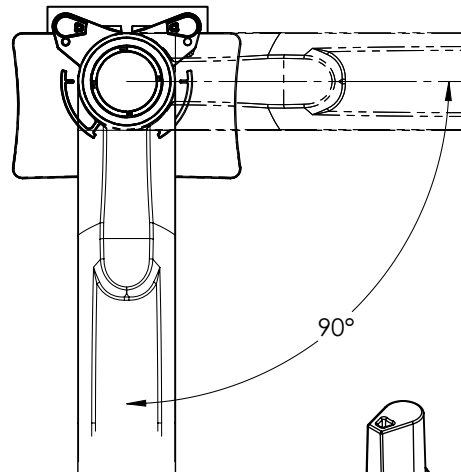
Feature	Benefit
Limits arm rotation to 90 degrees	Prevents the arms from accidentally hitting walls/back panels.



NARROW ARM TOP VIEW



WIDE ARM TOP VIEW



Concerto Rotation Limiter 7200 series

Ancillary Products:

- Compatible with Concerto products

Model	Description	Package Weight	Weight
7210LW	Rotation Limiter, White	0.5 lbs.	0.2 lbs.
7210LB	Rotation Limiter, Black	0.5 lbs.	0.2 lbs.



950 Warden Avenue
 Toronto, Ontario, M1L 4E3
 1.800.837.8640
www.ise-ergonomics.com

A COMPANY

ISE reserves the right to change product specifications at any time without notice and without incurring responsibility for existing units.
 ©2022 ISE International Source for Ergonomics.