



INTERNATIONAL  
SOURCE FOR  
ERGONOMICS

A  COMPANY



Front



Back

7703BE Tempo Monitor Slider



7703BE shown on Tempo Dual-Hub 7765E



# Tempo Monitor Slider

The Tempo Monitor Slider provides the extra necessary range of motion to perfectly position dual screens, whether by sliding them inwards to close any gaps, or sliding them outwards to fit on the monitor support. It is fully compatible to any Tempo arm with minimal installation time.

## 7750/7755/7760/7765 series

### Features & Benefits

Provides extra horizontal adjustment:

6.5" inward to close any possible gap between screens

6.5" outward to allow the multi-screen support unit to accommodate larger screens

Allows monitors to be adjusted laterally while being positioned all the way back on the work surface

Minimal installation time

90° rotation for portrait to landscape screen positioning

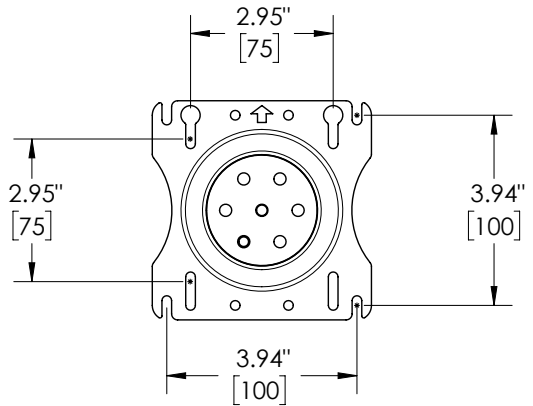
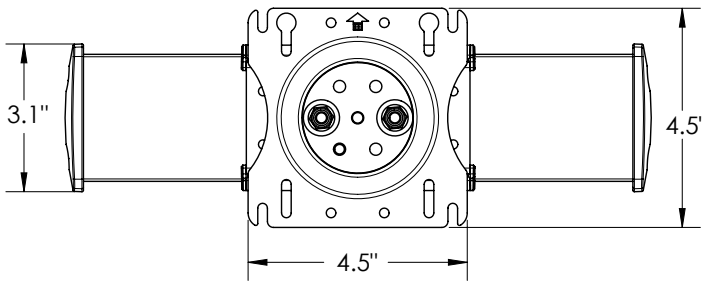
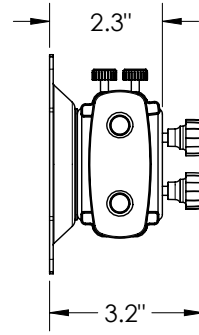
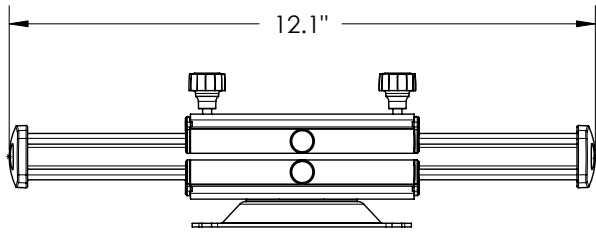
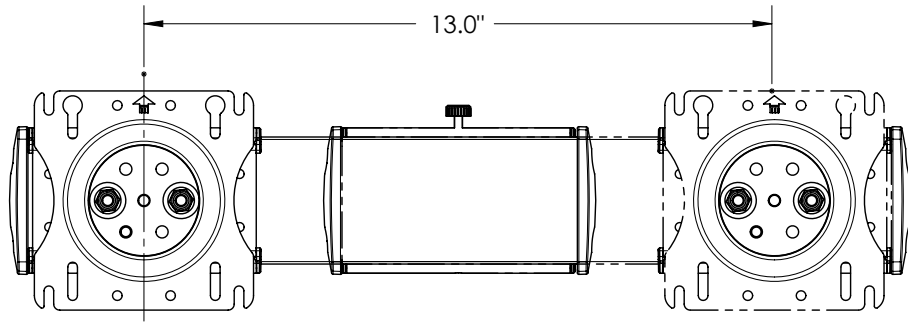
Full backwards compatibility with all Tempo monitor supports (ideal for the 7765 Tempo Dual-Hub Monitor Arm)

Maintains the screen tilt functionality provided by the monitor support

Adjustable knobs to regulate the sliding friction (or to lock the screens in place)

VESA hole patterns to fit most computer screens

Available in Tempo colors (Alpine Silver, Satin Black and Satin White)



## Tempo Monitor Slider

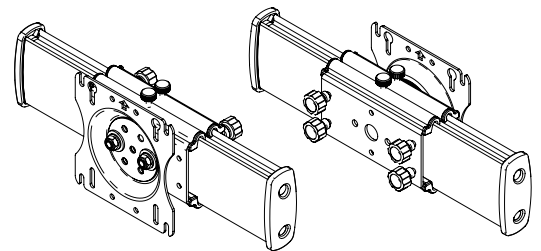
7750 / 7755 / 7760 / 7765 Monitor Arms

### Ancillary Products:

- Compatible with all ISE keyboard arms
- Use with ISE CPU holders

Model	Description	Horizontal Range	VESA Rotation	Weight
7703BAS	Tempo Monitor Slider, Silver	13" (+6.5"/-6.5")	90°	2 lbs.

Note: Specifications are subject to change without notice.



### Color Options

To specify color, other than silver, replace the "AS" in the part number with:

**E** = Black    **Y** = White

For example, to get a "7703BAS" in white, order 7703BY.

E - Black

Y - White

AS - Silver



950 Warden Avenue  
Toronto, Ontario, M1L 4E3  
1.800.837.8640  
[www.ise-ergonomics.com](http://www.ise-ergonomics.com)

A COMPANY

ISE reserves the right to change product specifications at any time without notice and without incurring responsibility for existing units.  
©2022 ISE International Source for Ergonomics.

OL3142-A/1122