




INTERNATIONAL
SOURCE FOR
ERGONOMICS

A  COMPANY



Concerto Dual Hub

Ideal for short benches and workstations, it provides support for two monitors with the ability to adjust height while not encroaching onto the valuable work surface space.

7800 series

Features & Benefits

Single extension model provides maximum collapsability to save space

Tool-less clamp installation makes assembly quick and easy

Load capacity of 20 lbs (per screen)

Supports two screens with a maximum overall side to side width of 23.7" (per screen)

Dynamic height adjustment range of 12.5"

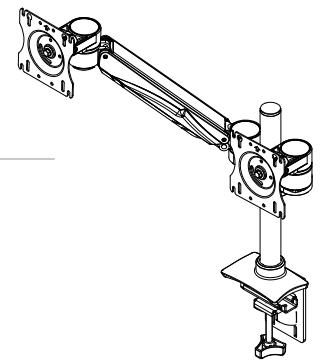
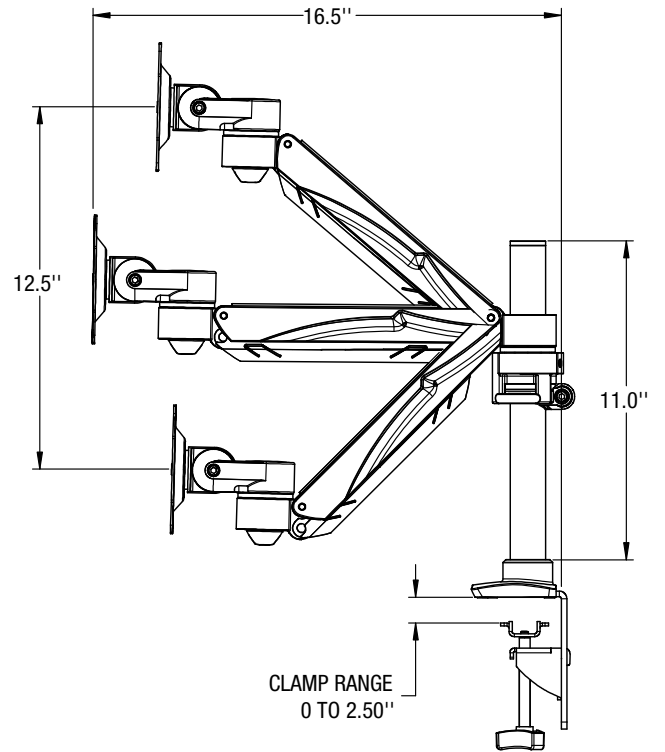
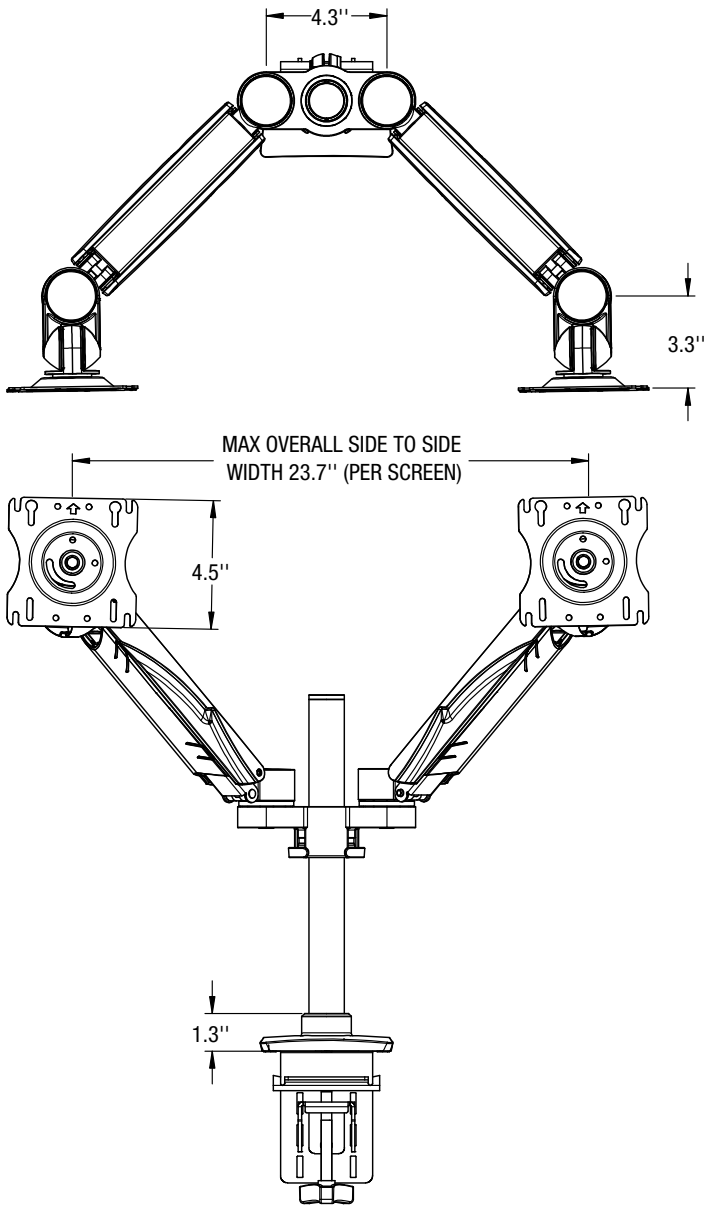
Pole allows a static height adjustment range of 11"

Cable management to keep all cables organized

Clamp and/or Grommet mount hardware included

Monitor mounting bracket, with Quick Connect, contains 75mm and 100mm hole patterns to comply with VESA standards

Choice of finish - silver, black and white



Concerto with Height Adjustable Arm and Dual Hub 7800 series

Model	Description
7824SHD12	Dual-screen, two height adjustable extension arms, assembled with Dual Hub

Colour Options

To specify colour, other than silver, replace the "S" in the part number with:
B = Black **W** = White



For example, to get a "7824SHD12" in white, order 7824**W**HD12.

Note: Specifications are subject to change without notice.



950 Warden Avenue
 Toronto, Ontario, M1L 4E3
 1.800.837.8640
www.ise-ergonomics.com

ISE reserves the right to change product specifications at any time without notice and without incurring responsibility for existing units.
 ©2022 ISE International Source for Ergonomics.