




INTERNATIONAL
SOURCE FOR
ERGONOMICS

A  COMPANY

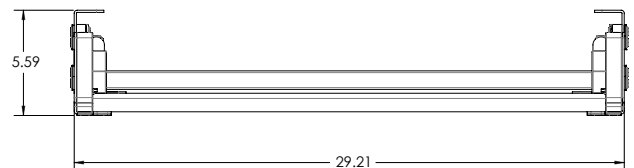
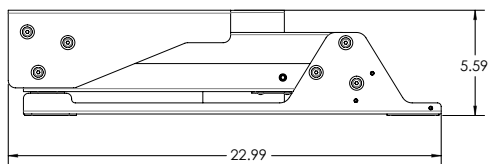
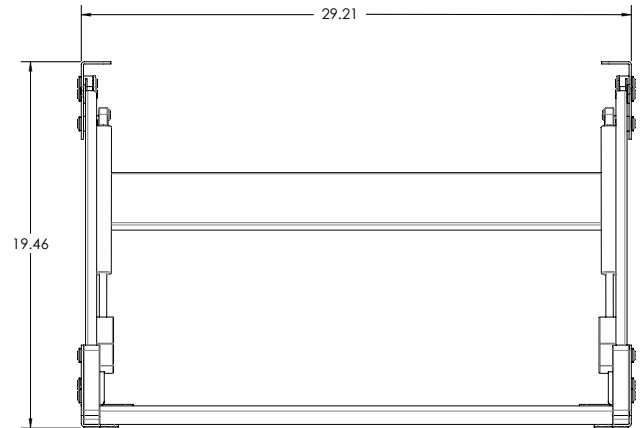
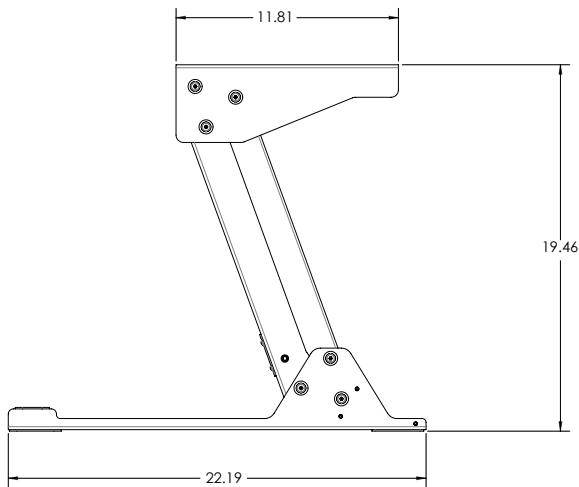
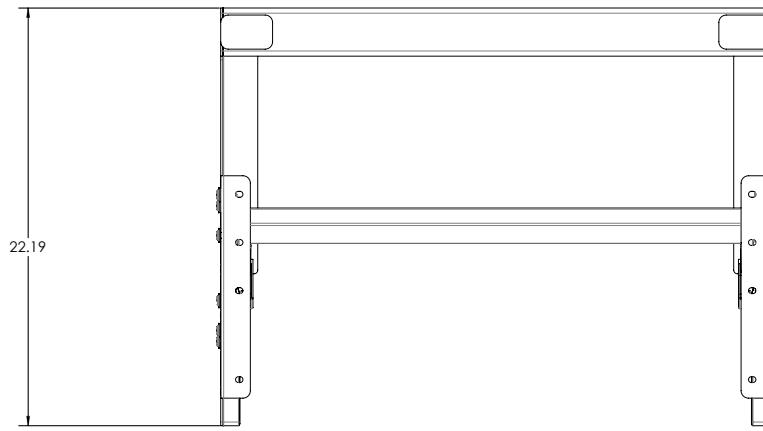


5231B02

No-Top Volante™ Desktop Sit-Stand Workstation

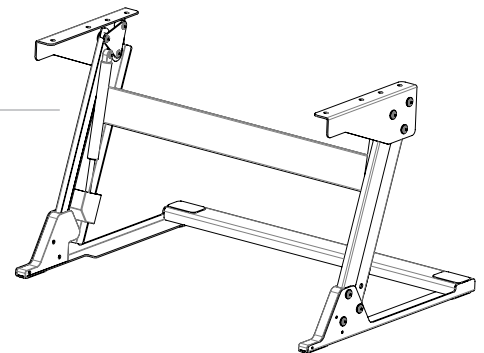
The No-Top Volante is a sit-stand desktop workstation frame that allows customers to create their own sit-stand workstations by adding various top colors, woodgrain effects and shapes/ sizes specifically tailored for their customer's design décor needs.

Features	Benefits
Compact Footprint (23.2" x 29.2")	The Volante easily fits onto a 24" deep desk
Gas Assisted Height Adjustment	Provides smooth, quiet and infinite height adjustment through a 13.8" range allowing users to easily set the workstation to their ideal ergonomic position
Can be extended 19.5" above the desk (without work surfaces)	A large height adjustment range accommodates a greater variety of users
Keyboard surface adjusts with the primary work surface	Improved ergonomics over competitive units that are just one work surface
20° (-10°/+10°) of keyboard tilt	Allows users to infinitely adjust the keyboard surface tilt to find the most comfortable typing position
Keyboard tray mounting brackets are supplied with the workstation frame	All that needs to be sourced are the work surfaces and fasteners of choice
Supports 35 lbs., (excluding work surfaces)	Strong enough to support users technology requirements
Weighs 25 lbs. (excluding work surfaces)	Light enough for easy manipulation during assembly to work surfaces
Two Year Warranty	Tested to 15,000 cycles, the Volante provides worry free reliability with a two year warranty on the gas assist cylinders
Available in black	A neutral color to match any office design décor



Volante™ No-Top Desktop Sit-Stand Workstation

Model	Description	Weight Capacity	Box Size	Shipping Weight	Color	Weight
5231B02	No-Top Desktop Sit-Stand Workstation	35 lbs.	27.5" w x 38" l x 8" h	37 lbs.	Black	25 lbs.



*Note: Weight capacity includes 14 lbs. total work surface weight.

Made in Taiwan



950 Warden Avenue
 Toronto, Ontario, M1L 4E3
 1.800.837.8640
www.ise-ergonomics.com

A COMPANY

ISE reserves the right to change product specifications at any time without notice and without incurring responsibility for existing units.
 ©2022 ISE International Source for Ergonomics.

OL3008-A/1122