




INTERNATIONAL
SOURCE FOR
ERGONOMICS

A  COMPANY



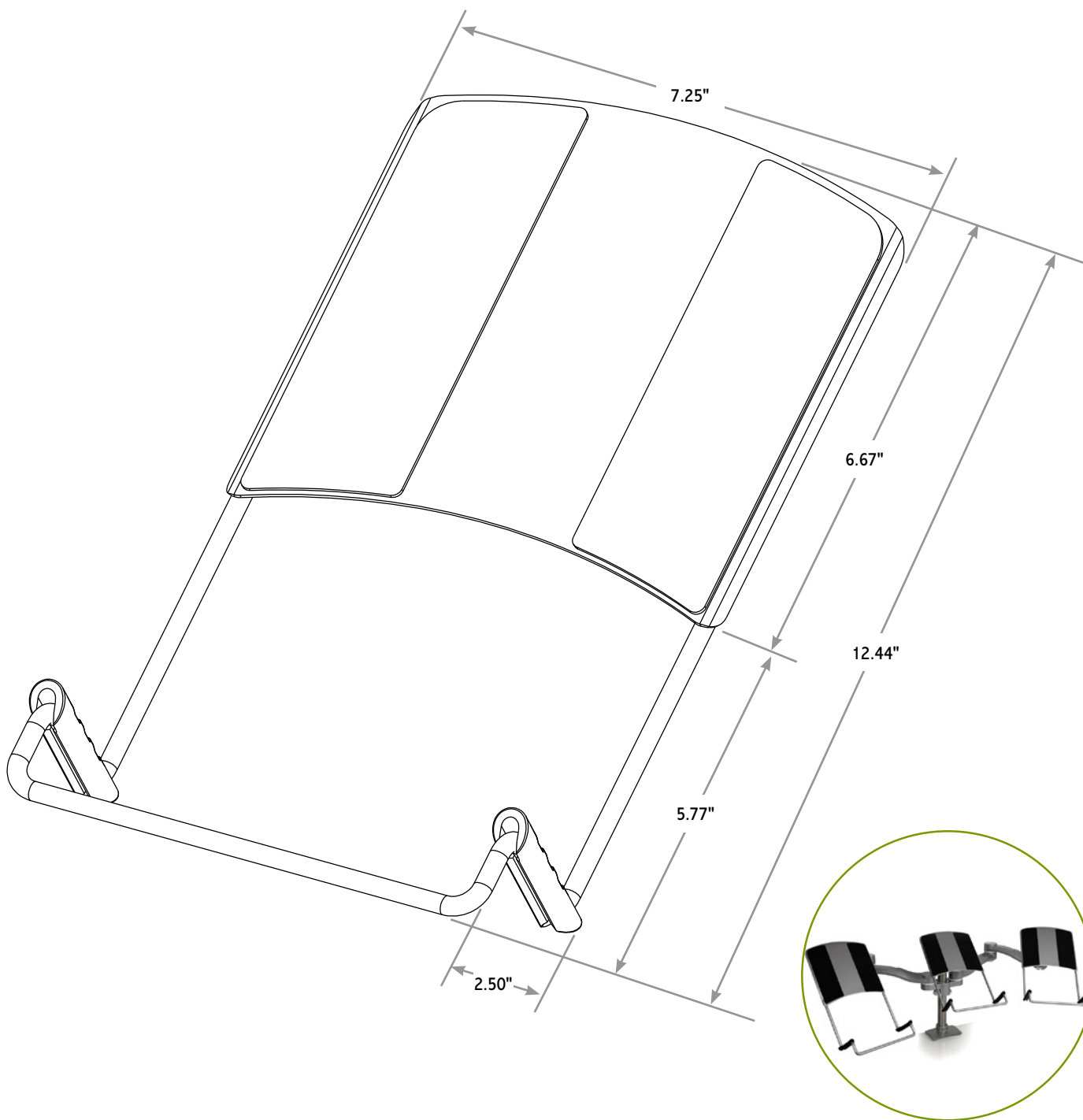
7801TS

Laptop Support

Laptop support mounts directly to standard 75mm x 75mm VESA plate hole pattern, ideal for use with KV Concerto, Xtend and Tempo flat panel supports.

7801TS

Features	Benefits
Sturdy painted steel construction (Silver, Black or White)	Provides the required support for laptops
Non-slip contact surface	Prevents Laptop from moving during adjustments
Built in grab handle	Allows for easy adjustment and positioning
Standard VESA mounting	75mm x 75mm mounting hole pattern
Mounting hardware included	Quick and simple installation
Sized to fit most Laptops	2.0" thick ledge allows for installation of most Laptop keyboards

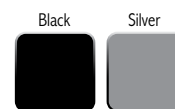
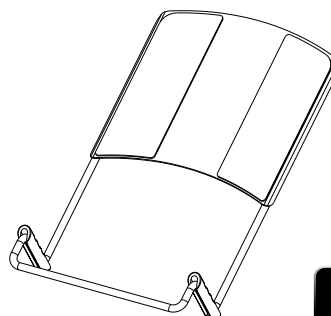


Laptop Support 7801TS

Ancillary Products:

- Compatible with ISE Concerto, Xtend and Tempo series of monitor supports
- Use with ISE CPU holders and keyboard supports

Model	Height	Width	Thickness	Maximum Laptop Keyboard Thickness Supported	Color	Weight
7801TS	12.44"	7.25"	2.50"	2.0"	Silver	2.0 lbs
7801TB	12.44"	7.25"	2.50"	2.0"	Black	2.0 lbs



Notes: 1. Weight = packaged shipping weight per unit. 2. Specifications are subject to change without notice.



950 Warden Avenue
 Toronto, Ontario, M1L 4E3
 1.800.837.8640
www.ise-ergonomics.com

A COMPANY

ISE reserves the right to change product specifications at any time without notice and without incurring responsibility for existing units.
 ©2022 ISE International Source for Ergonomics.

OL2990-A/1122