




INTERNATIONAL
SOURCE FOR
ERGONOMICS

A  COMPANY



Cable Management



Weight Gauge



Base

7760AS Tempo™ Dual
Screen Monitor Support

Tempo™ Monitor Supports Dual Screen

The Tempo 7760 series dual screen monitor arms are designed to support two monitors for improved ergonomic viewing and comfort. Designed with elegant styling, smooth operation, unmatched performance and rugged reliability the Tempo™ will meet the demands of today's modern office.

7760 Dual Screen Series

Features & Benefits

Comes with clamp and grommet mount, ideal for all desk mounting configurations, minimizing SKU's

Adjustable counterbalance cylinder provides smooth 14½" of height adjustment with fingertip control, counterbalancing monitors with a combined weight from 6 lbs. to 28 lbs.

Double extension arms provide a maximum of 31⅝" extension from the rear edge of the mounting surface to the VESA Plate for greater monitor adjustment on deep or corner workstations

Arms fold back to a minimum dimension of 8⅞" to provide maximum desk utilization

Monitor mounting bracket, with Quick Connect adaptor, contains both 75mm & 100mm hole patterns to match most screen types and is compliant with VESA mounting standards

Support beam holds two (23" max width) monitors at a 25° booking angle for improved ergonomic viewing comfort

Weight gauge provided to allow for quick and easy counterbalance adjustment of the arm prior to installing the screen. Saves time and guesswork especially for multiple arm installations

VESA Plate rotates for portrait or landscape viewing with 180° side to side rotation and -90° to +45° tilt for optimal viewing adjustment

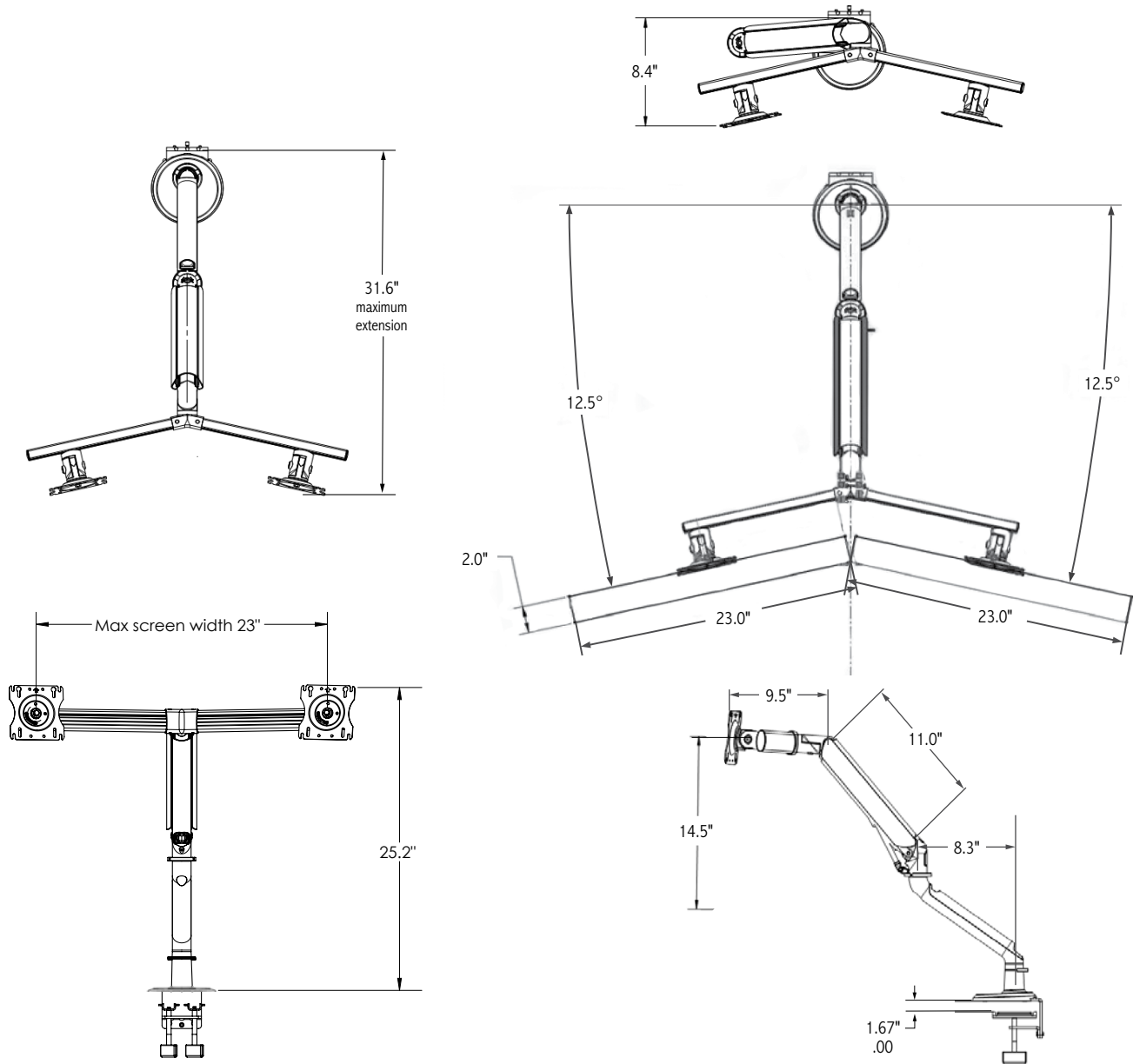
Die cast aluminum construction provides greater stability and contains high recycled material content with full recyclability

Adjustable rotation limiter to restrict arm rotation to 180°, preventing arms from hitting walls

Comes with all tools and mounting hardware for quick and easy installation (Tool-free)

Multiple color choices include Silver, Black and White to match any furniture or decor

5 year warranty



Tempo™ Monitor Supports - Dual Screen

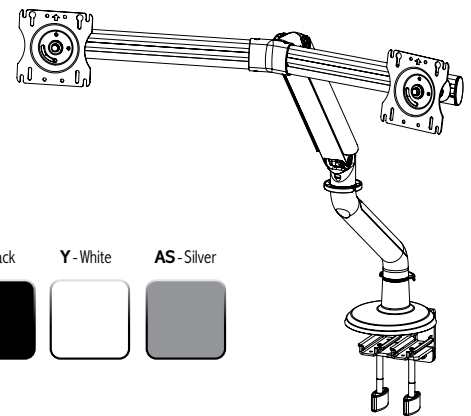
7760 Series Dual Screen Monitor Arms

Ancillary Products:

- Compatible with all ISE keyboard arms
- Use with ISE CPU holders

Model	Description	Maximum Monitor Weight Capacity	Weight
7760AS	Tempo™ Dual Screen Light Duty Monitor Support	6 lbs. to 28 lbs.	14.75 lbs.

To specify color, other than silver, replace the "AS" in part number with: E = Black Y = White
 For example, to get a "7760AS" in white, order 7760Y



Notes: 1. Weight = packaged shipping weight per unit. 2. Specifications are subject to change without notice.



950 Warden Avenue
 Toronto, Ontario, M1L 4E3
 1.800.837.8640
www.ise-ergonomics.com

A COMPANY

ISE reserves the right to change product specifications at any time without notice and without incurring responsibility for existing units.
 ©2022 ISE International Source for Ergonomics.

OL2846-A/1122