




INTERNATIONAL
SOURCE FOR
ERGONOMICS

A  COMPANY

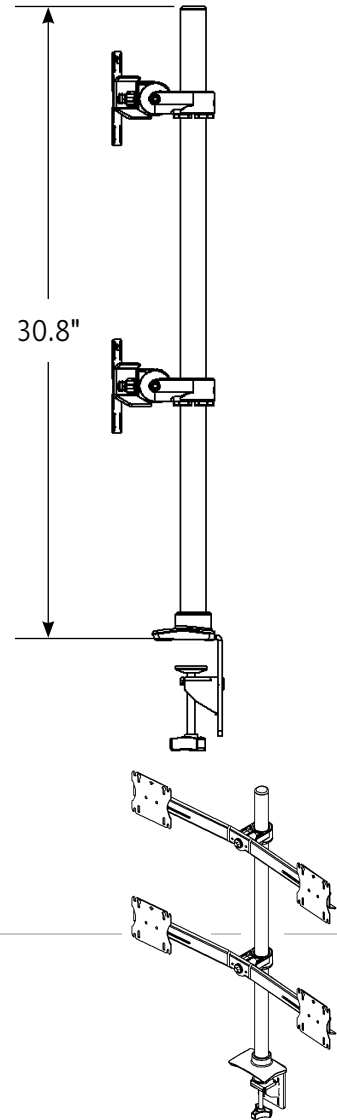
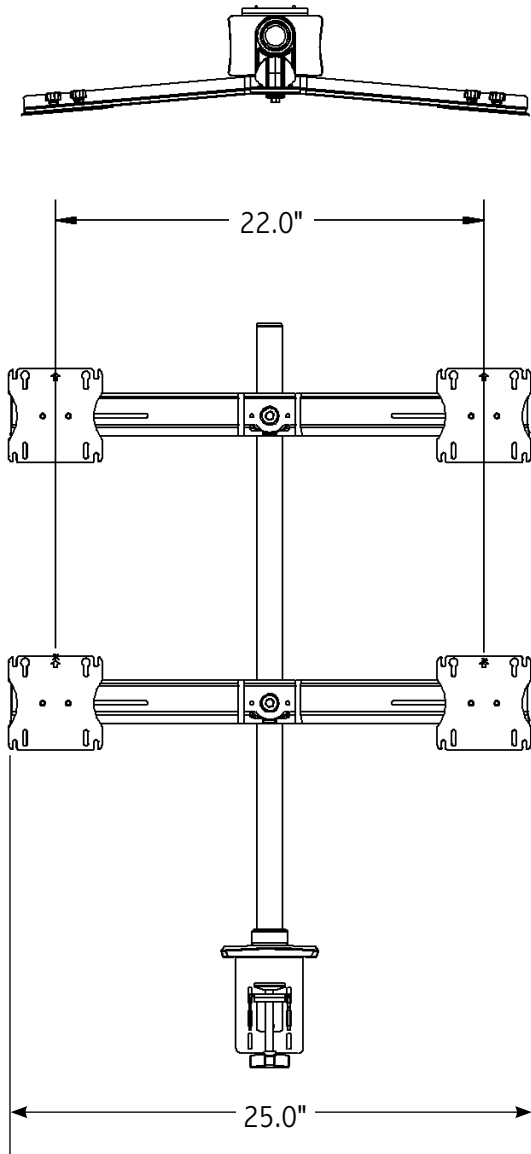


7847SJ30

7847SJ30

Pole Mount Xtend with
Dual Monitor Beams for
Quad Display

Features	Benefits
Simple economical construction	Rugged design at a competitive price
Comes standard with clamp and grommet mount to fit most work surfaces	One SKU provides dual mounting options to fit work surfaces from 3/4" to 2 5/8" (clamp)
Pole assembly includes 30" Pole	Provides ample height adjustment for monitors
Monitor beam incorporates adjustable dual VESA mounting plates	VESA Plates adjust to accept up to a 22" monitor (diagonal)
Fixed beam booking angle of 20°	Improves viewing comfort on wide screen arrays
Tiltable beam assembly	Adjustable for viewing comfort and reducing glare
Standard VESA hole mounting pattern with Quick Connect mounting holes	Single handed attachment contains both 75mm and 100mm hole patterns to comply with VESA Standards
Stable design for maximum support	Supports four monitors up to 10 lbs. each
Comes with all mounting hardware	Tool-less attachment to work surface
Durable powder paint finish	Available in Silver, Black & White
Made in USA	BAA compliant for GSA Bid requirements



Pole Mount Xtend with Dual Monitor Beam

Ancillary Products:

- Compatible with all ISE keyboard arms
- Use with ISE CPU holders

Model	Description	Weight
7847SJ30	30" Pole Mount with Monitor Beams for Quad Display	16.3 lbs.

Notes: 1. Weight = packaged shipping weight per unit. 2. Specifications are subject to change without notice.

Colour Options

To specify colour, other than silver, replace the "S" in the part number with:

B = Black **W** = White **P** = Polished

For example, to get a "7847SJ30" in white, order 7847**W**J30.



950 Warden Avenue
 Toronto, Ontario, M1L 4E3
 1.800.837.8640
www.ise-ergonomics.com

A COMPANY

ISE reserves the right to change product specifications at any time without notice and without incurring responsibility for existing units.
 ©2022 ISE International Source for Ergonomics.

OL2833-A/1122