




INTERNATIONAL
SOURCE FOR
ERGONOMICS

A  COMPANY



8428DS21

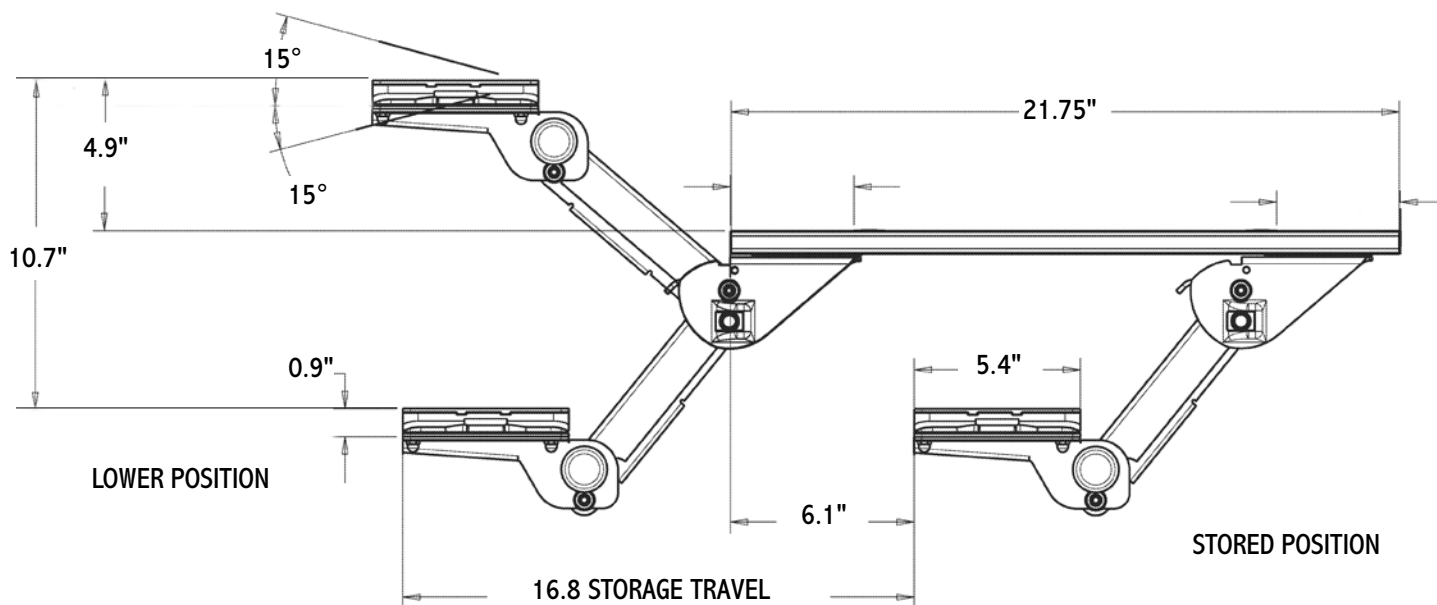
Momentum Arm

Momentum 7 1/2" neck arm with dual swivel

Momentum Dual Swivel arm with ball bearing track, provides the ability to off-set keyboard tray in relationship to the track mounting position.

8428DS21

Features	Benefits
Soft-touch knob for tilt adjustment	Easy to make precise tilt adjustments for maximum comfort
Lift and Lock height adjustment	Patented tool-less height adjustment
10.7" Vertical adjustment range from 4.9" above track to 5.8" below track	Provides ample height adjustment for the seated worker
360° of swivel	User can rotate keyboard side-to-side
35° of independent tray swivel either side of centerline	Allows the user to adjust the keyboard tray to maintain parallelism to desk surface
30° of total tray tilt adjustment $\pm 15^\circ$	Adjusts for positive and negative tilt angles
Powder coated steel construction	Durable long lasting design
21.75" Glide track	Full storage with minimal effort
Spring assisted to counterbalance keyboard weight	Smooth height adjustment for precise keyboard placement

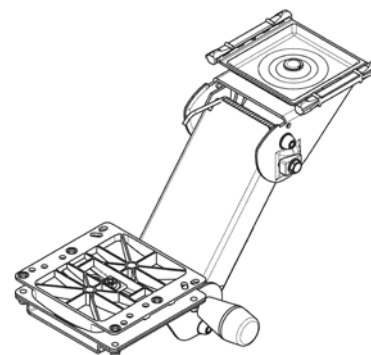


8428DS21 - Momentum Arm 7½" neck arm with dual swivel

Ancillary Products:

- Compatible with most ISE keyboard trays
- Use with ISE CPU holders
- For flat panel displays, use the ISE Concerto or Xtend series of monitor supports

Model	Height Range (Above & below track)	Tilt	Travel	Track Size	Track Style	Weight
8428DS21	4.9" / -5.8"	+15°/-15°	16.8"	21.75"	Glide	12.0 lbs



Black



Code Compliance: Exceeds ANSI/BIFMA standards

Notes: Weight = packaged shipping weight per unit. Specifications are subject to change without notice.



A  COMPANY

950 Warden Avenue
 Toronto, Ontario, M1L 4E3
 1.800.837.8640
www.ise-ergonomics.com

ISE reserves the right to change product specifications at any time without notice and without incurring responsibility for existing units.
 ©2022 ISE International Source for Ergonomics.