
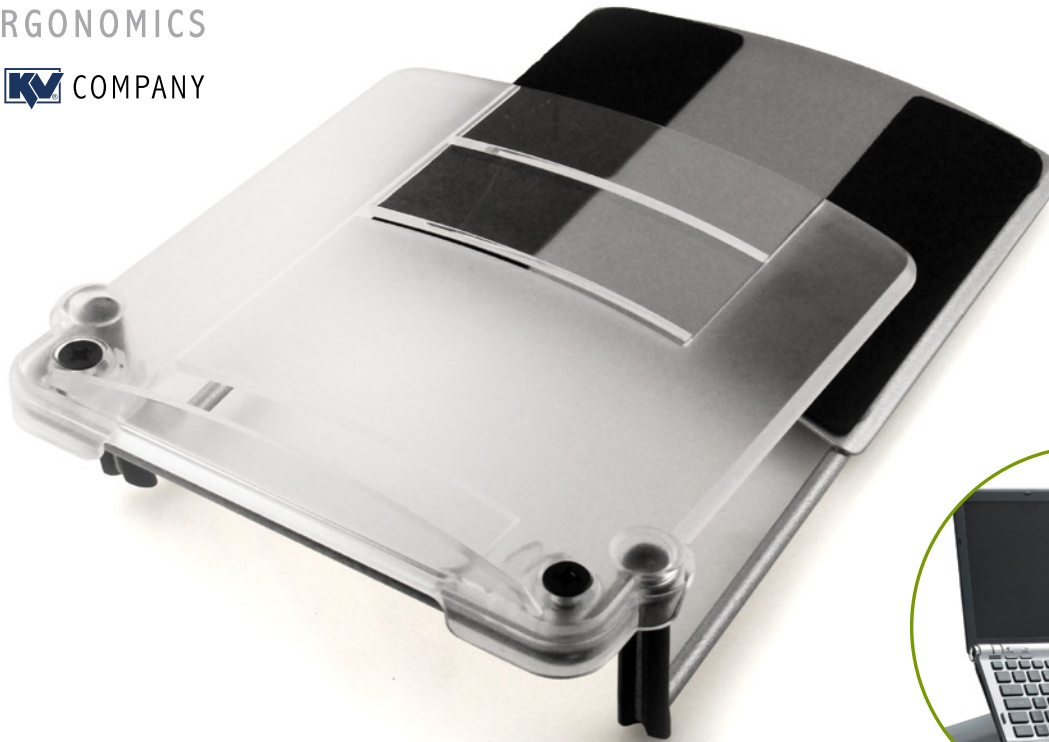




INTERNATIONAL
SOURCE FOR
ERGONOMICS

A  COMPANY



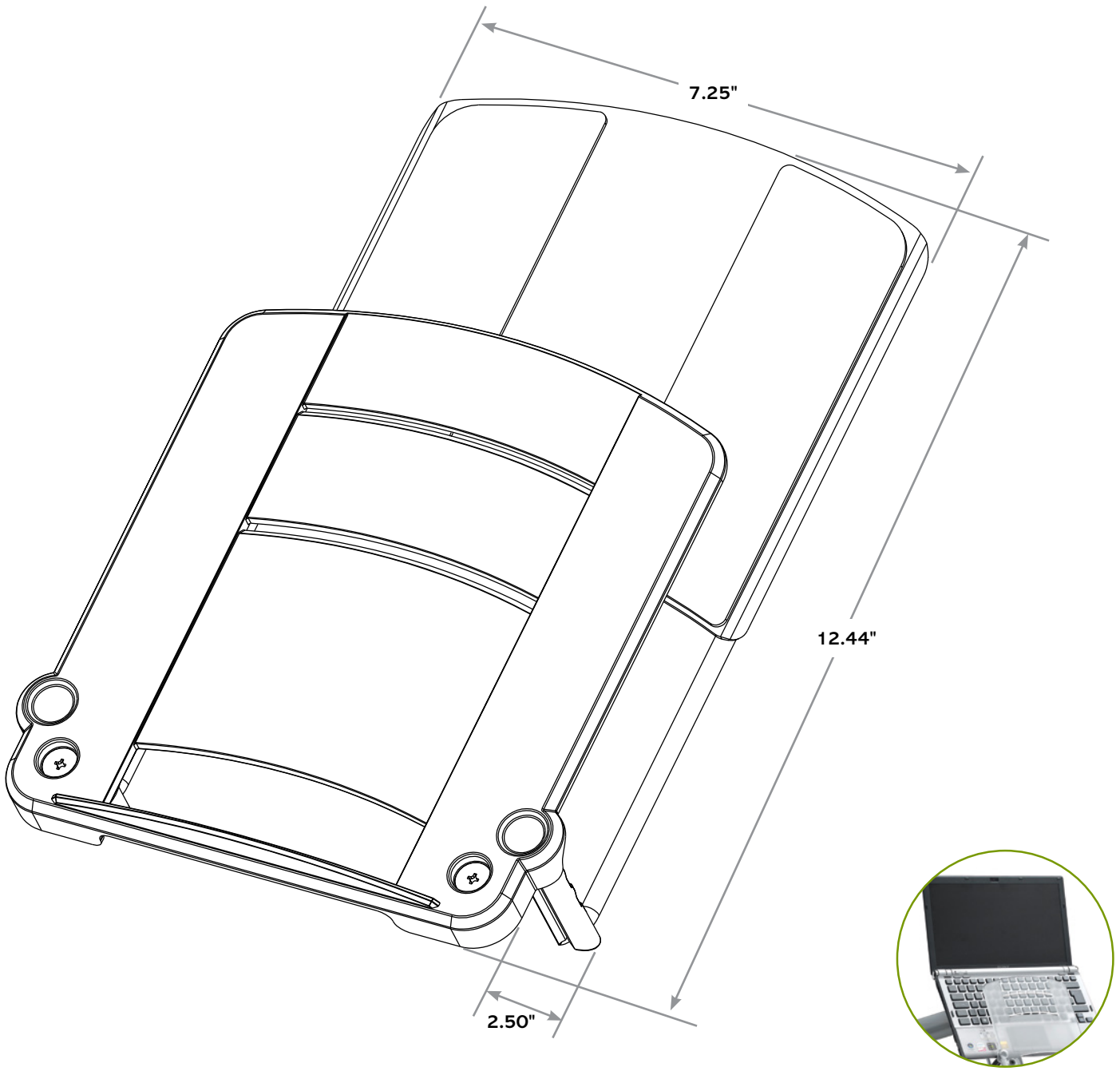
7801TDS

Laptop Support with Document Holder

Laptop support mounts directly to standard 75mm x 75mm VESA plate hole pattern, ideal for use with Concerto, Xtend and Tempo flat panel supports. Built in document holder supports single or multiple documents as well as adding security for the laptop.

7801TDS

Features	Benefits
Sturdy painted steel construction (Silver, Black or White)	Provides the required support for laptops
Decorative built in document holder	Supports single and multiples sheets as well as books
Non-slip contact surface	Prevents Laptop from moving during adjustments
Built in grab handle	Allows for easy adjustment and positioning
Standard VESA mounting	75mm x 75mm mounting hole pattern
Mounting hardware included	Quick and simple installation
Sized to fit most Laptops	2.0" Thick opening allows for installation of most Laptop keyboards

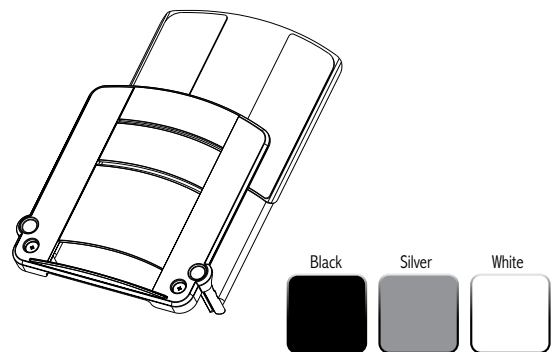


Laptop Support with Document Holder 7801TDS

Ancillary Products:

- Compatible with ISE Concerto, Xtend and Tempo series of monitor supports
- Use with ISE CPU holders and keyboard supports

Model	Height	Width	Thickness	Maximum Laptop Keyboard Thickness Supported	Color	Weight
7801TDS	12.44"	7.25"	2.50"	2.0"	Silver	2.4 lbs
7801TDB	12.44"	7.25"	2.50"	2.0"	Black	2.4 lbs
7801TDW	12.44"	7.25"	2.50"	2.0"	White	2.4 lbs



Notes: 1. Weight = packaged shipping weight per unit. 2. Specifications are subject to change without notice.



950 Warden Avenue
Toronto, Ontario, M1L 4E3
1.800.837.8640
www.ise-ergonomics.com

ISE reserves the right to change product specifications at any time without notice and without incurring responsibility for existing units.
©2022 ISE International Source for Ergonomics.

OL2638-A/1122