



INTERNATIONAL  
SOURCE FOR  
ERGONOMICS

A  COMPANY

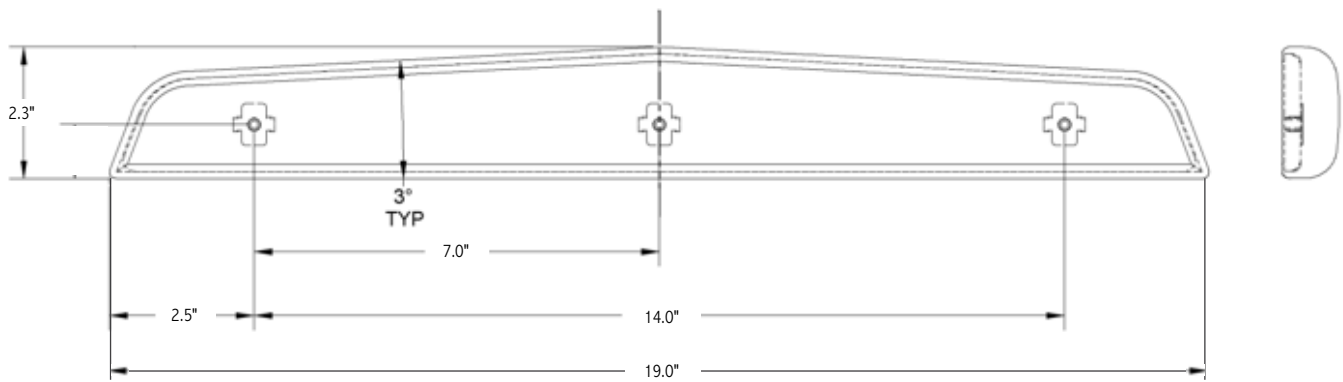


1824WR

# 1824WR Palm Rest

Vinyl covered foam filled palm rest with integral support and threaded inserts for attachment to tray.

Features	Benefits
Vinyl covered foam filled construction	Durable soft finish, easily cleanable
Large palm support area 19.0" x 2.3" x 0.8" with integral support	Large cushioned palm rest providing ultimate support
Threaded inserts for attachment to tray	Securely attaches to tray surface
Use with ISE tray platforms	Fits KV PF Keyboard Tray



## 1824WR Palm Rest

### Ancillary Products:

- Compatible with KVPF Tray
- Use with ISE CPU Holders
- For Flat Panel Displays use the ISE Concerto or Xtend series of monitor supports



Model	Palm Rest Length	Palm Rest Width	Palm Rest Height	Material	Weight
1824WR	19.0"	2.3"	0.8"	Vinyl Covered Foam	0.8 lbs

Black



Code Compliance: Exceeds ANSI/BIFMA standards

Notes: 1. Weight = packaged shipping weight per unit. 2. Specifications are subject to change without notice.



950 Warden Avenue  
 Toronto, Ontario, M1L 4E3  
 1.800.837.8640  
[www.ise-ergonomics.com](http://www.ise-ergonomics.com)

A COMPANY

ISE reserves the right to change product specifications at any time without notice and without incurring responsibility for existing units.  
 ©2022 ISE International Source for Ergonomics.

OL2635-A/1122