



INTERNATIONAL
SOURCE FOR
ERGONOMICS

A  COMPANY

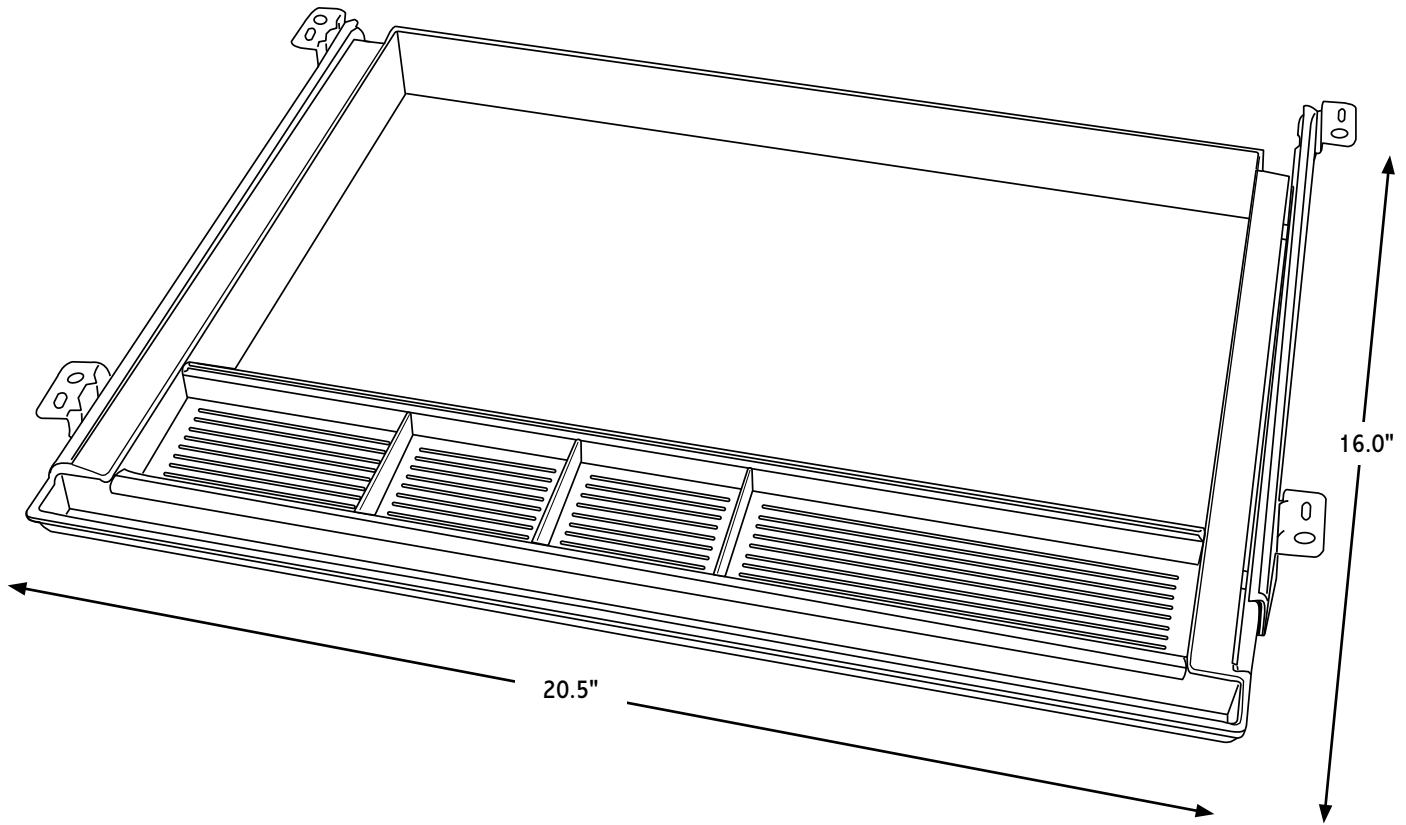


KD-75

KD-75

Light duty keyboard drawer with front storage area for keyboard only applications.

Features	Benefits
Molded plastic keyboard tray 20.5" wide x 16.0" deep	Drawer area supports most small and large keyboard sizes
Molded front storage area	Compartmentalized storage for pens paper clips etc.
Precision Ball Bearing Slides with detent feature	Smooth drawer opening and retraction with hold out feature
Adjustable drop height feature provided on slide brackets	Seven height adjustments for ergonomic adjustment of drawer from 2.3" to 3.6"
Mounting hardware provided	Quick and easy installation



Note: Brackets mount in outboard position under work surface for application widths 29" or greater, and in the inboard position for widths less than 26.7"

KD-75 Keyboard drawer with front storage compartment

Ancillary Products:

- Use with ISE CPU holders
- For flat panel displays, use the ISE Concerto or Xtend series of monitor supports

Model	Keyboard Drawer Width	Keyboard Drawer Depth	Load Rating	Material	Weight
KD-75	20.5"	16.0"	20.0 lbs	Injection Molded Plastic (Black)	5.0 lbs

Black



Code Compliance: Exceeds ANSI/BIFMA standards

Notes: 1. Weight = packaged shipping weight per unit. 2. Specifications are subject to change without notice.



950 Warden Avenue
Toronto, Ontario, M1L 4E3
1.800.837.8640
www.ise-ergonomics.com

A  COMPANY

ISE reserves the right to change product specifications at any time without notice and without incurring responsibility for existing units.
©2022 ISE International Source for Ergonomics.

OL2621-A/1122