




INTERNATIONAL  
SOURCE FOR  
ERGONOMICS

A  COMPANY

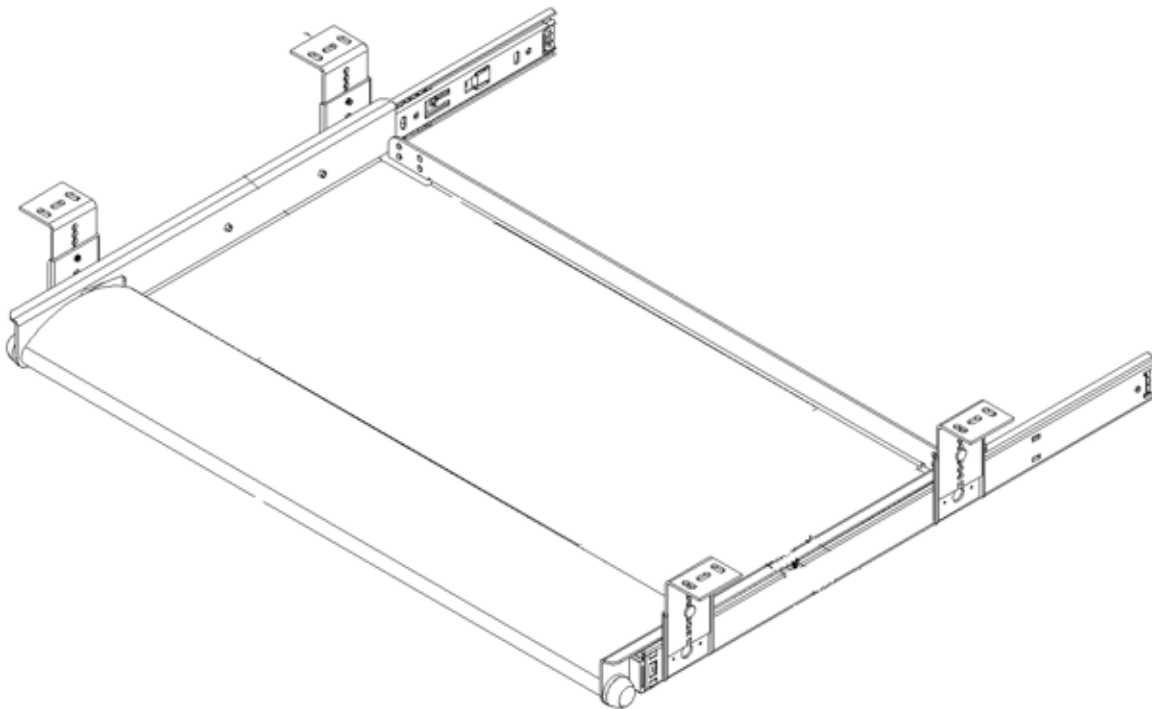


5700 BLK 18

## 5700 BLK 18

Keyboard Drawer with Adjustable Palm Rest for Keyboard Only Applications.

Features	Benefits
Steel keyboard tray 21.8" wide x 18.0" deep	Large keyboard drawer area supports all keyboard sizes
Height adjustable palm rest	Adjustable palm rest for optimal typing comfort
Precision Ball Bearing Slides with detent feature	Smooth drawer opening and retraction with hold out feature
Adjustable drop height feature provided on slide brackets	Seven height adjustments for ergonomic adjustment of drawer
Mounting hardware provided	Quick and easy installation



Note: Brackets mount in outboard position under work surface for application widths 24" or greater, and in the inboard position for widths less than 24"

## 5700 BLK 18 Keyboard Drawer with Adjustable Palm Rest

### Ancillary Products:

- Use with ISE CPU holders
- For flat panel displays, use the ISE Concerto or Xtend series of monitor supports

Model	Keyboard Drawer Width	Keyboard Drawer Depth	Load Rating	Material	Weight
5700 BLK 18	21.8"	18.0"	75.0 lbs	Painted Steel (Black)	12.4 lbs
5700SP BLK 18	21.8"	18.0"	75.0 lbs	Painted Steel (Black)	12.4 lbs

Black



Code Compliance: Exceeds ANSI/BIFMA standards

Notes: 1. Weight = packaged shipping weight per unit. 2. Specifications are subject to change without notice.



950 Warden Avenue  
Toronto, Ontario, M1L 4E3  
1.800.837.8640  
[www.ise-ergonomics.com](http://www.ise-ergonomics.com)

A  COMPANY

ISE reserves the right to change product specifications at any time without notice and without incurring responsibility for existing units.  
©2022 ISE International Source for Ergonomics.

OL2614-A/1122