




INTERNATIONAL
SOURCE FOR
ERGONOMICS

A  COMPANY

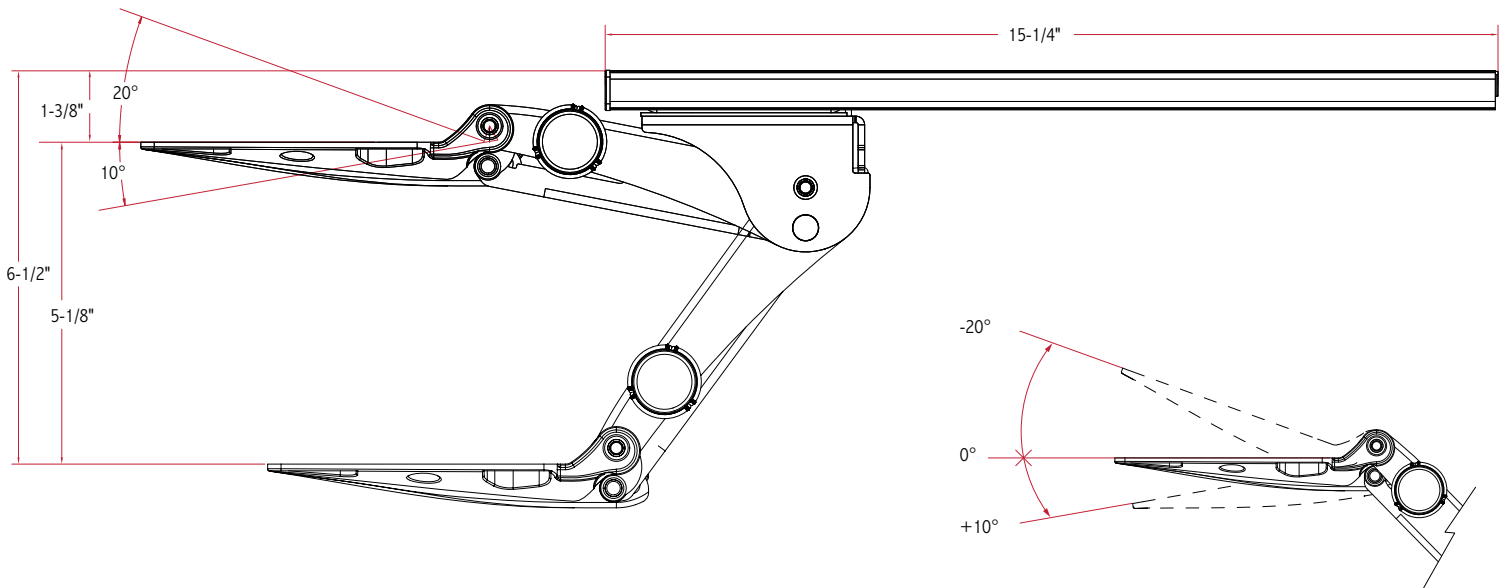


Staccato Arm

ISE has created an arm that meets and exceeds ANSI/HFES 100-2007/ BIFMA G1-2013 Under Surface Knee Space Clearance guidelines and is specifically designed for benching or height adjustable tables. Effortless adjustment for a personalized fit, the Staccato's slim profile provides maximum knee clearance, as well as a superior range of motion. The Staccato support arm is manufactured in North America, making it TAA Compliant. The Staccato arm is made from recycled materials and is fully recyclable.

8481 series

Features	Benefits
ANSI/HFES, 100-2007 and BIFMA G1-2013 compliant	Meets the adjustment guidelines for the 5th percentile female, seated to the 95th percentile male, seated and conforms with operator clearance for knee space requirements
Ergonomic, low profile arm and tray head give the arm a sleek, thin design frees up space under desk and is fully storable on a 15.25" track	Provides maximum leg room and comfort to the end user, as well as a unique aesthetic
Superior range of motion with 5.1" height adjustment below the work surface	Greater range of motion provides more flexibility for the end user, meeting all HFES referenced seated postures
BIFMA G1-2013 compliant	Safer and more comfortable for the end user
Smooth Lift-N-Lock™ motion to adjust height	Greater access for easier adjustments
Concealed hardware and braking mechanism and integrated cable management	Allows for less obstructions below the desk and keeps desk areas neat
Designed for disassembly & fully recyclable	Environmentally friendly product
Manufactured in North America	TAA Compliant for GSA
The new Mini HDPE trays are a perfect compliment to the Staccato arm	The smaller trays, combined with the Staccato provide greater clearance under work surface

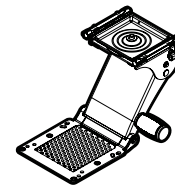


Staccato Arm 8481 series

Ancillary Products:

- Staccato is an ideal compliment to the Phenolic and HDPE Mini keyboard trays
- Use with ISE CPU holders
- For flat panel displays, specify the Concerto flat panel support system

Model	Height Range	Tilt	Length	Travel	Track Size	Track Style	Weight
8481D14	5.1"	+10° to -20°	13.75"	9.0"	14"	Glide	8.3 lbs
8481D15	5.1"	+10° to -20°	13.75"	10.25"	15.25"	Glide	8.5 lbs
8481D16	5.1"	+10° to -20°	13.75"	11"	16"	Glide	8.6 lbs
84811463A79	5.1"	+10° to -20°	13.75"	9.0"	14"	Glide	12.3 lbs
84811563A79	5.1"	+10° to -20°	13.75"	10.25"	15.25"	Glide	12.5 lbs
84811663A79	5.1"	+10° to -20°	13.75"	11"	16"	Glide	12.6 lbs
84811463A81	5.1"	+10° to -20°	13.75"	9.0"	14"	Glide	12.8 lbs
84811563A81	5.1"	+10° to -20°	13.75"	10.25"	15.25"	Glide	13.0 lbs
84811663A81	5.1"	+10° to -20°	13.75"	11"	16"	Glide	13.1 lbs



Code Compliance: BIFMA G1-2002 standards, ADA
*ANSI/HFES 100-2007

Notes: Weight = packaged shipping weight per unit. Specifications are subject to change without notice.



950 Warden Avenue
Toronto, Ontario, M1L 4E3
1.800.837.8640
www.ise-ergonomics.com

A COMPANY

ISE reserves the right to change product specifications at any time without notice and without incurring responsibility for existing units.
©2022 ISE International Source for Ergonomics.

OL02517-A/1122