




INTERNATIONAL
SOURCE FOR
ERGONOMICS

A  COMPANY

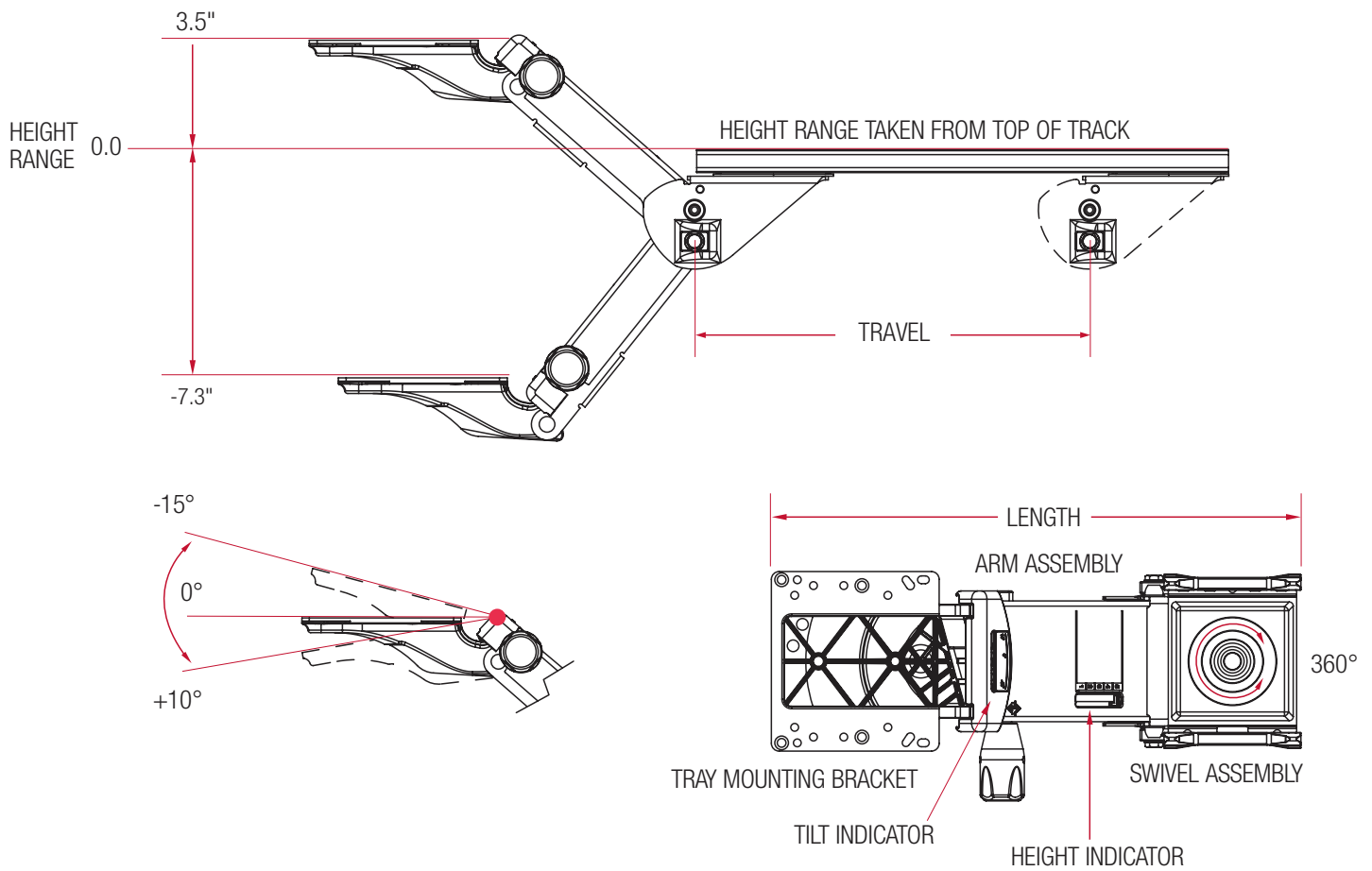


Ovation Arm Extended Length

Ideal for corner-mount locations, the revolutionary new Ovation keyboard support system offers a far greater range of motion to maximize user comfort and safety. Ovation's simple, visual gauges, for both height and tilt, make it effortless to fine tune keyboard position for a personalized fit.

8424 & 8624 series

Features	Benefits
Patented height indicator gauge	Marks user's best ergonomic keyboarding position for repeatable location
Patented dial tilt adjustment	Shows the angle of the tray as tilt knob is turned from -15° to +10°
Molded head tray constructed of durable engineered resin	Lighter weight; added stability design allows higher height range; superior ergonomic form
Ergonomic styling, low profile design	Maximum comfort and leg room
Patented spring-assisted Lift-n-Lock™ counter balancing system (no knobs or levers)	Precise adjustments are quick and easy
7-1/2" extended length neck	Added neck length is ideal for corner locations
Dual swivel option	Allows keyboard tray to be parallel to the desk even when corner-mounted
360° swivel	User can move keyboard freely from side to side
Available with either glide or low-profile ball bearing storage tracks	Fully retractable when not in use; choose the one that fits your budget
Positive tilt lockout option	Promotes healthier negative tilt of keyboard; reduces risk of repetitive strain injury

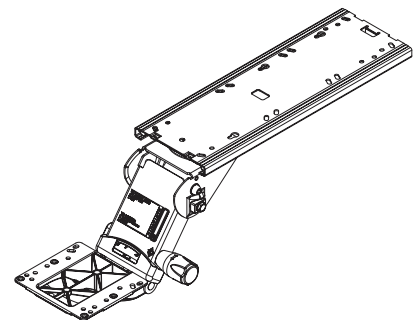


Ovation Arm Extended Length 8424 & 8624 series

Ancillary Products:

- Ovation is an ideal complement to the Harmony tray
- Compatible with most ISE keyboard trays
- Use with ISE CPU holders
- For flat panel displays, specify the Concerto flat panel support system

Model	Height Range	Tilt	Length	Travel	Track Size	Track Style	Weight
8424D21	3.5" / -7.3"	-15°/+10°	16.1"	16.8"	21.75"	plastic glide	10.2 lbs
8424D23	3.5" / -7.3"	-15°/+10°	16.1"	18.0"	23.00"	plastic glide	10.5 lbs
8624D21	3.4" / -7.3"	-15°/+10°	16.5"	16.2"	21.75"	ball bearing	11.4 lbs
8624D23	3.4" / -7.3"	-15°/+10°	16.5"	17.4"	23.00"	ball bearing	11.6 lbs



Code Compliance: Exceeds ANSI/BIFMA standards
Also available in standard and extended lengths

Notes: Weight = packaged shipping weight per unit. Specifications are subject to change without notice.