




INTERNATIONAL
SOURCE FOR
ERGONOMICS

A  COMPANY



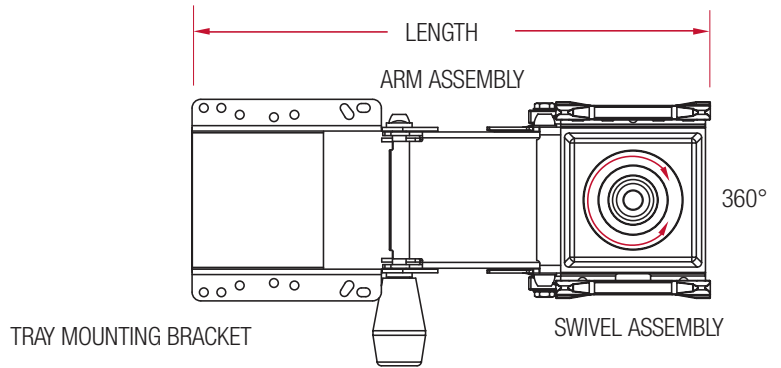
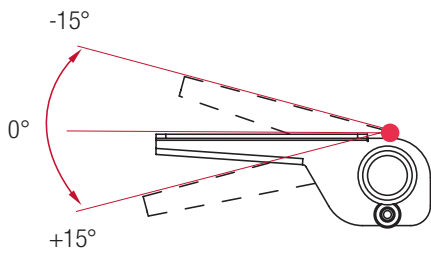
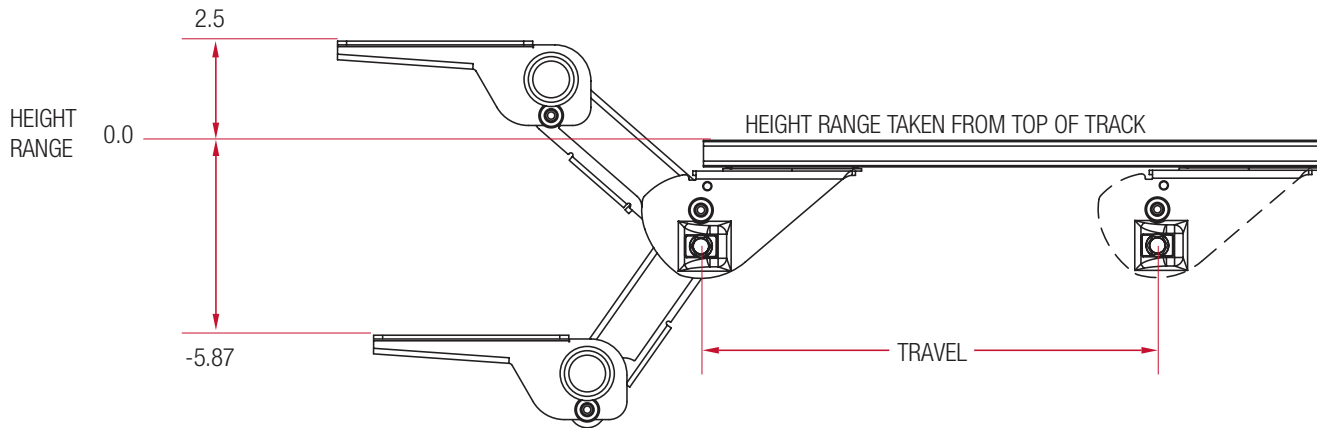
Momentum Arm

Standard Length

The Momentum arm is perfect for users who need a solid support and fast position-changing capability, or in workstations that accommodate multiple users.

8438 & 8638 series

Features	Benefits
Low profile design	Provides maximum leg room
Patented spring-assisted Lift-n-Lock™ counter balancing system (no knobs or levers)	Easy to make precise height adjustments for maximum comfort
Soft-touch knob for tilt adjustment	Easy to make precise tilt adjustments for maximum comfort
5-1/2" standard length neck	Accommodates straight desktops with limited space
Dual swivel option	Allows keyboard tray to be parallel to the desk even when corner-mounted
360° swivel	User can move keyboard freely from side to side
Available with either glide or low-profile ball bearing storage tracks	Fully retractable when not in use; choose the one that fits your budget
Positive tilt lockout option	Promotes healthier negative tilt of keyboard; reduces risk of repetitive strain injury

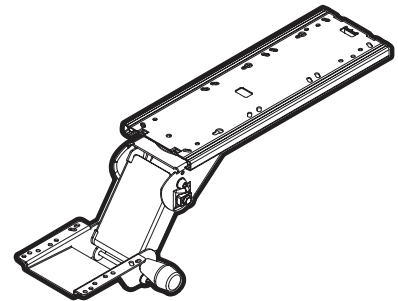


Momentum Arm Standard Length 8438 & 8638 series

Ancillary Products:

- Momentum is an ideal complement to the Harmony tray
- Compatible with most ISE keyboard trays
- Use with ISE CPU holders
- For flat panel displays, specify the Concerto flat panel support system

Model	Height Range	Tilt	Length	Travel	Track Size	Track Style	Weight
8438D17	2.5" / -5.9"	-15°/+15°	13.8"	12.0"	17.00"	plastic glide	11.0 lbs
8438D21	2.5" / -5.9"	-15°/+15°	13.8"	16.8"	21.75"	plastic glide	13.0 lbs
8438DS21	2.5" / -5.9"	-15°/+15°	13.8"	16.8"	21.75"	plastic glide	14.2 lbs
8438DS23	2.5" / -5.9"	-15°/+15°	13.8"	18.0"	23.00"	plastic glide	15.0 lbs
8638D21	2.3" / -6.1"	-15°/+15°	14.2"	16.2"	21.75"	ball bearing	13.0 lbs
8638DS23	2.3" / -6.1"	-15°/+15°	14.2"	17.4"	23.00"	ball bearing	15.0 lbs



Finish: Black
Code Compliance: Exceeds ANSI/BIFMA standards
 Also available in standard and extended lengths

Notes: Weight = packaged shipping weight per unit. Specifications are subject to change without notice.



950 Warden Avenue
 Toronto, Ontario, M1L 4E3
 1.800.837.8640
www.ise-ergonomics.com

A COMPANY

ISE reserves the right to change product specifications at any time without notice and without incurring responsibility for existing units.
 ©2022 ISE International Source for Ergonomics.

OL2511-A/1122