




INTERNATIONAL  
SOURCE FOR  
ERGONOMICS

A  COMPANY



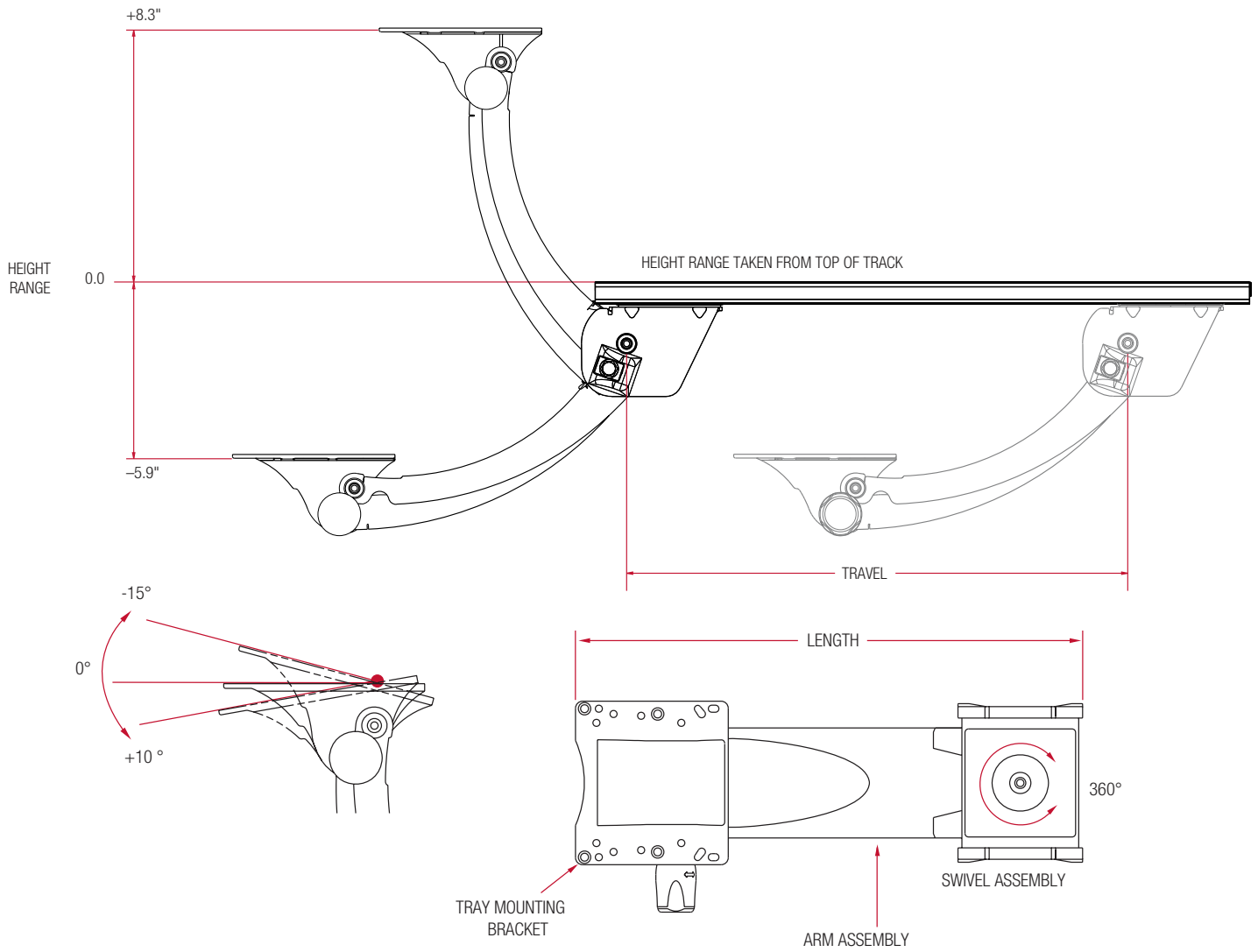
# Momentum Arm

## Sit-Stand Length

The Sit-Stand Arm has been designed to provide better ergonomic support in both seated and standing positions. The design provides comfort by moving the user closer to the work surface.

## 8478 & 8678 series

Features	Benefits
Increased height range from 8.3" above track to 5.9" below track	Comfortable positioning at either seated or standing postures
Enhanced, patented Lift-N-Lock™ braking mechanism	Easy adjustment of height of keyboard tray
Reduced neck length	Allows user to be closer to the desk in seated and standing positions
Soft-touch knob for tilt adjustment	Easy to make precise tilt adjustments for maximum comfort
360° swivel	Keyboard tray moves easily from side to side for more flexibility
Positive tilt lockout option	Promotes healthier negative tilt of keyboard; reduces risk of repetitive strain injury
Dual swivel option	Keyboard can always be parallel to desk even when corner mounted
Available with either glide or low-profile ball bearing storage tracks	Fully retractable when not in use; choose the one that fits your budget
Wherever possible, recycled materials are used to manufacture components. Designed for disassembly and 100% recyclability	Environmentally friendly



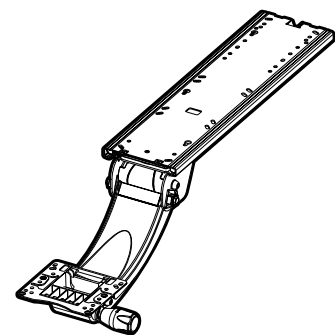
## Momentum Arm Sit-Stand Length 8478 & 8678 series

### Ancillary Products:

- Momentum Sit-Stand is an ideal complement to the Harmony Tray
- Compatible with most ISE keyboard trays
- Use with ISE CPU holders
- For flat panel displays, specify the Concerto flat panel support system

Model	Height Range	Tilt	Length	Travel	Track Size	Track Style	Weight
8478D21	+8.3"/-5.9"	-15°/+10°	17.9"	16.8"	21.75"	plastic glide	10.7 lbs
8478D23	+8.3"/-5.9"	-15°/+10°	17.9"	18.0"	23.00"	plastic glide	11.0 lbs
8678D21	+8.3"/-6.0"	-15°/+10°	18.3"	16.8"	21.75"	ball bearing	11.9 lbs
8678D23	+8.3"/-6.0"	-15°/+10°	18.3"	18.0"	23.00"	ball bearing	12.1 lbs

Notes: Weight = packaged shipping weight per unit. Specifications are subject to change without notice.



**Code Compliance:** Exceeds ANSI/BIFMA standards  
Also available in standard and extended lengths