




INTERNATIONAL  
SOURCE FOR  
ERGONOMICS

A  COMPANY



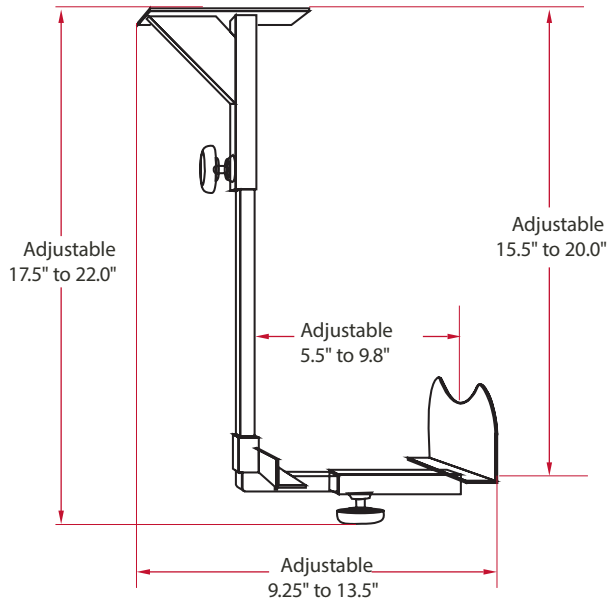
C730

## Economy CPU Holder

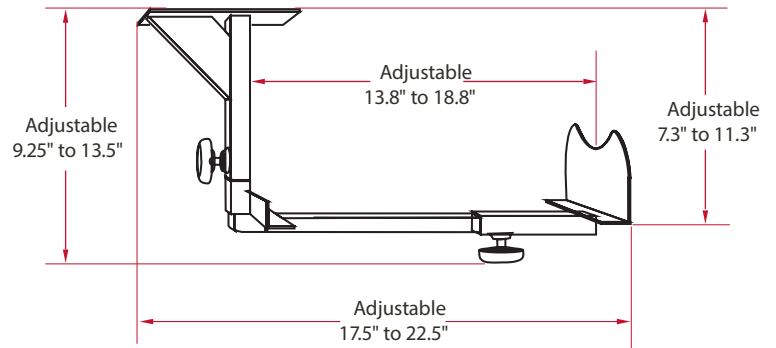
The Economy CPU holder is the solution for those individuals on a fixed budget such as students and small companies. It mounts easily to the underside of the work surface and is adjustable to either a vertical or horizontal position.

### C730 series

Features	Benefits
Mounts easily under the work surface	Stores CPU's safely under the desk and off the floor
Adjustable to either a vertical or horizontal position	Can be used for various models of CPUs
Inexpensive	Perfect for those on fixed budgets
Adjustable width (5.5" to 9.8") and height (15.5" to 20.0")	Can be customized to each workstation



Vertical Configuration



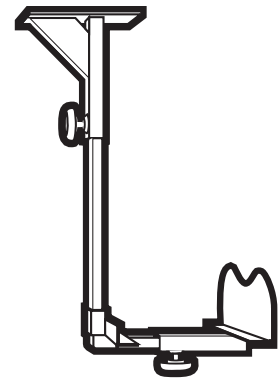
Horizontal Configuration

## Economy CPU Holder C730 series

### Ancillary Products:

- ISE CPU holders are an ideal complement to any ISE keyboard supports
- Use with ISE keyboard supports
- For flat panel displays, specify the Concerto flat panel support system

Model	Height Range	Width Range	Storage	Weight
C730 (Vertical)	15.5" / 20.0"	5.5" / 9.8"	Fixed	9.8 lbs
(Horizontal)	7.3" / 11.3"	13.8" / 18.8"	Fixed	9.8 lbs



Black



Code Compliance: Exceeds ANSI/BIFMA standards

Notes: 1. Weight = packaged shipping weight per unit. 2. Specifications are subject to change without notice.



950 Warden Avenue  
 Toronto, Ontario, M1L 4E3  
 1.800.837.8640  
[www.ise-ergonomics.com](http://www.ise-ergonomics.com)

A  COMPANY

ISE reserves the right to change product specifications at any time without notice and without incurring responsibility for existing units.  
 ©2022 ISE International Source for Ergonomics.

OL2502-A/1122