




INTERNATIONAL  
SOURCE FOR  
ERGONOMICS

A  COMPANY



## Concerto

Ideal for short benches and workstations, it provides support for 4 monitors (2 on 2) without encroaching onto the desk, saving valuable space.

### 7900 series

#### Features & Benefits

Ideal for short desks, saves space

Load capacity of 20 lbs (per screen)

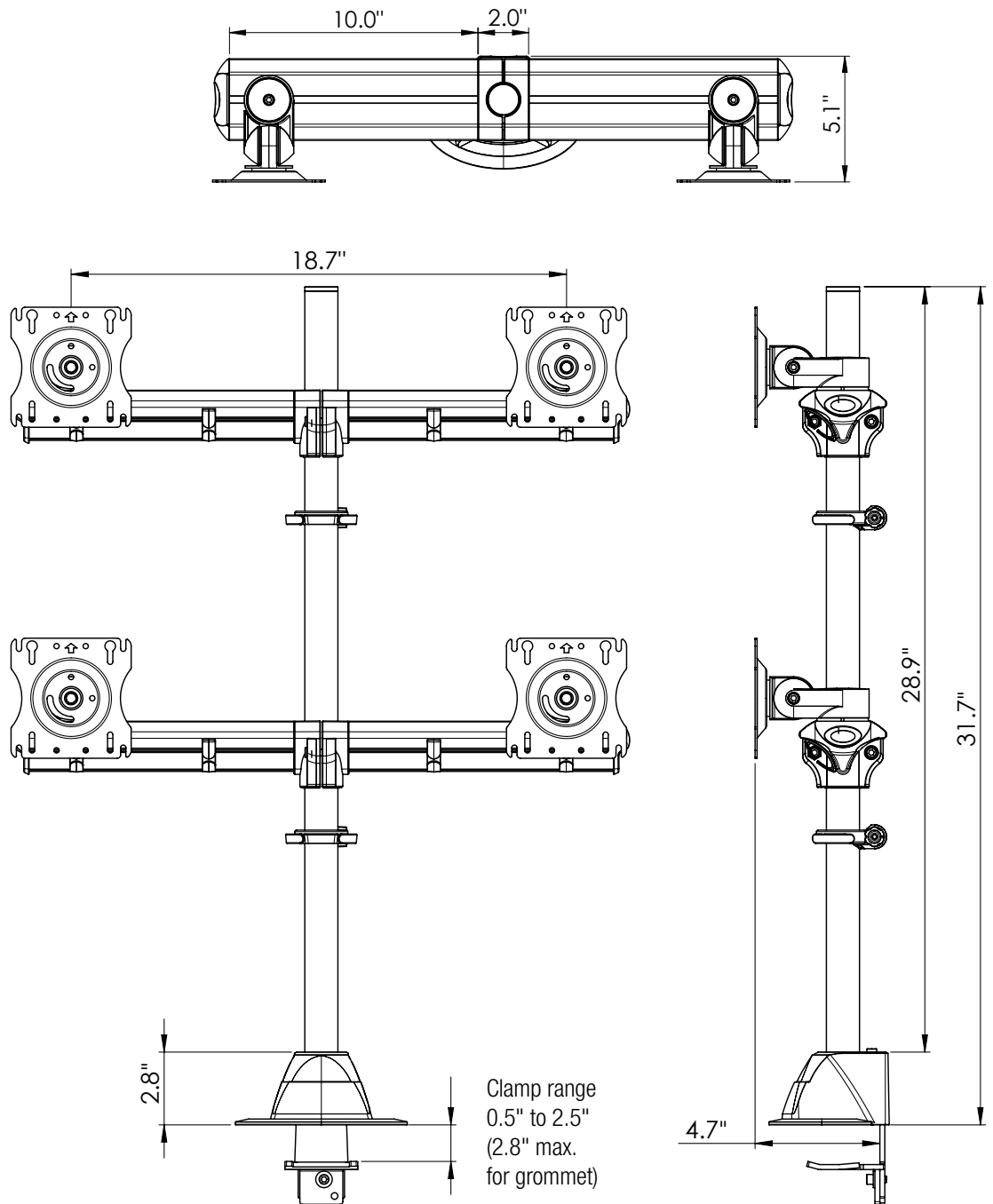
Supports 4 screens (2 on 2) with a maximum overall side to side width of 21" (per screen)

Cable management to keep all cables organized

Clamp and/or Grommet mount hardware included

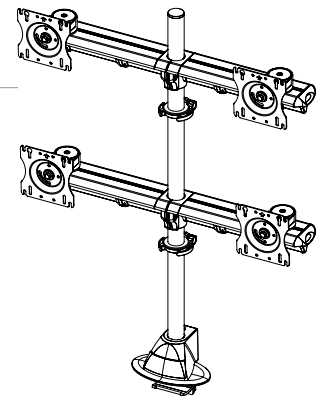
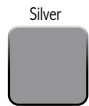
Monitor mounting bracket, with Quick Connect, contains 75mm and 100mm hole patterns to comply with VESA standards

Finish - Silver



## Concerto Beam Mount 7900 series

Model	Description
7945S	Four Screen Beam Mount (no extension arms), two on two, includes four Quick Connect Adapter Brackets, four 10" beam segments, 30" pole. Max 21" side to side screen width.



Note: Specifications are subject to change without notice.



950 Warden Avenue  
 Toronto, Ontario, M1L 4E3  
 1.800.837.8640  
[www.ise-ergonomics.com](http://www.ise-ergonomics.com)

A COMPANY

ISE reserves the right to change product specifications at any time without notice and without incurring responsibility for existing units.  
 ©2022 ISE International Source for Ergonomics.