
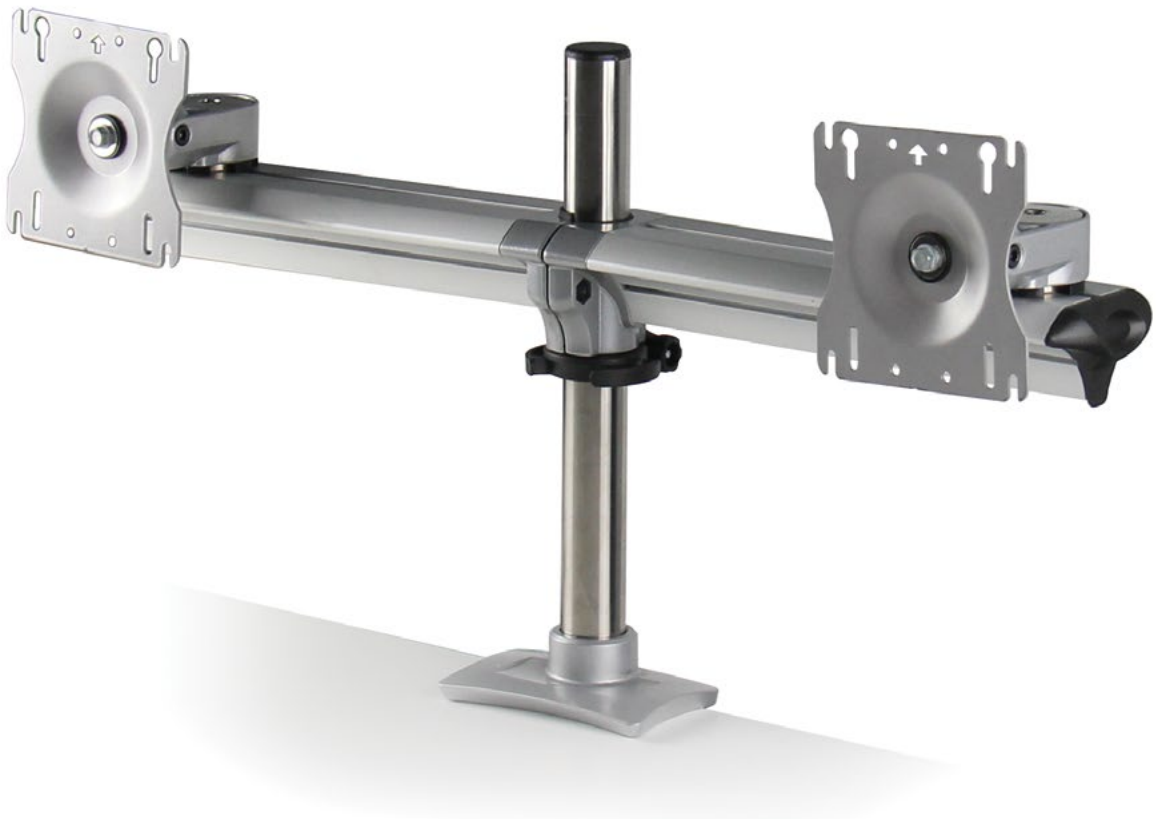




INTERNATIONAL
SOURCE FOR
ERGONOMICS

A  COMPANY



7825S

Concerto

The 7825S Concerto fills the need in today's office for flat panel display support that can adapt to a wide variety of configurations and applications. The economical double screens give the user the ability to quickly find the ultimate ergonomic position for the flat panel display at an affordable price.

7800 series

Features & Benefits

Includes Allen wrench for tilt adjustment

The Concerto supports a 20 lbs load capacity (per screen)

The arm swivels 360° around the base, increasing the options for display position

Options are available for panel, wall and slatwall mounting configurations

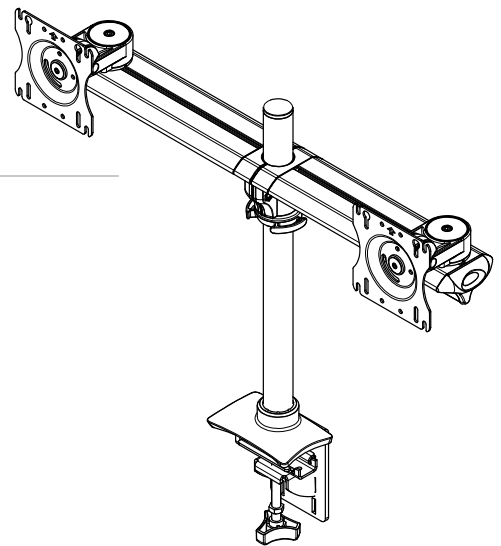
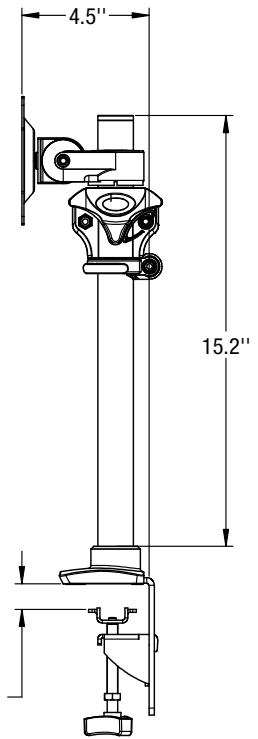
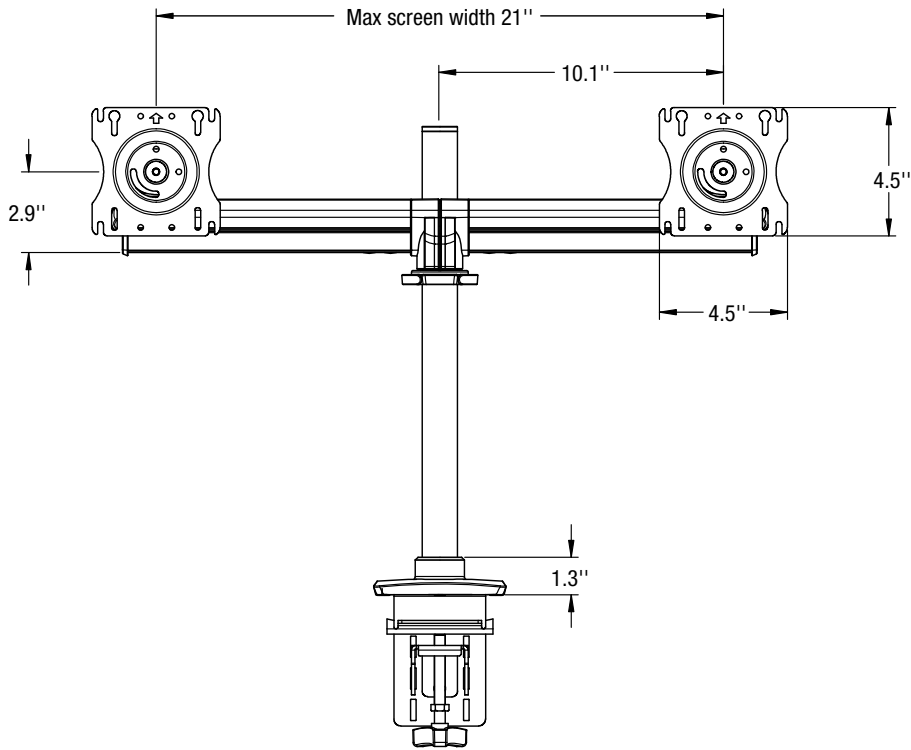
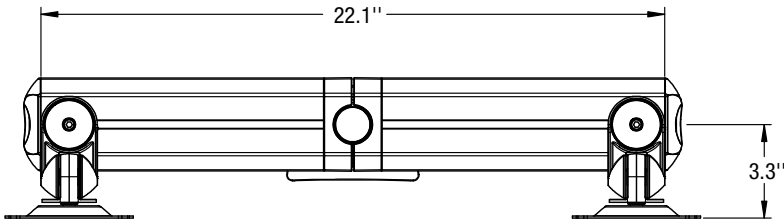
Desk clamp and grommet mount hardware are included to minimize SKUs

Clamp and grommet adjustable to fit most desks and work surfaces

Monitor mounting bracket, with Quick Connect option, contains both 75mm and 100mm hole patterns to comply with VESA standards

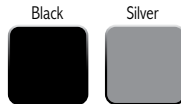
Pole allows manual height adjustment

Allows for a maximum 21" screen width



Concerto Beam Mount 7800 series

Model	Description
7825S	Double-Screen, two monitor mounts on beam, Silver
7825B	Double-Screen, two monitor mounts on beam, Black



Note: Specifications are subject to change without notice.



950 Warden Avenue
 Toronto, Ontario, M1L 4E3
 1.800.837.8640
www.ise-ergonomics.com

ISE reserves the right to change product specifications at any time without notice and without incurring responsibility for existing units.
 ©2022 ISE International Source for Ergonomics.