




INTERNATIONAL
SOURCE FOR
ERGONOMICS

A  COMPANY



7820SHD12

Concerto Dual Hub

Flexibility and modularity reach new heights with the Dual Mounting Hub from ISE. The monitor arm hub provides an ideal solution for multiple monitor configurations. Discover the unlimited possibilities with the 7820SHD12.

7800 series

Features & Benefits

The Hub has a locking device to allow it to be firmly clamped to the pole, as well as preventing the hub from rotating, thereby eliminating any play from the monitors, while still allowing the monitor to tilt and swivel

Hub provides the end-user with the ability to mount two (39" max. width)

Modularity and scalability make this product one of the most adaptable monitor arm solutions available. Monitor arms can be added easily without using all new equipment or discarding parts.

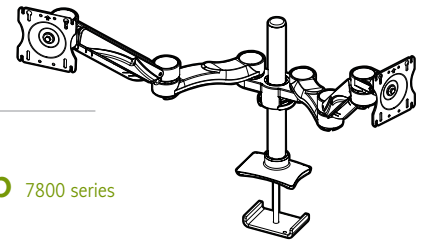
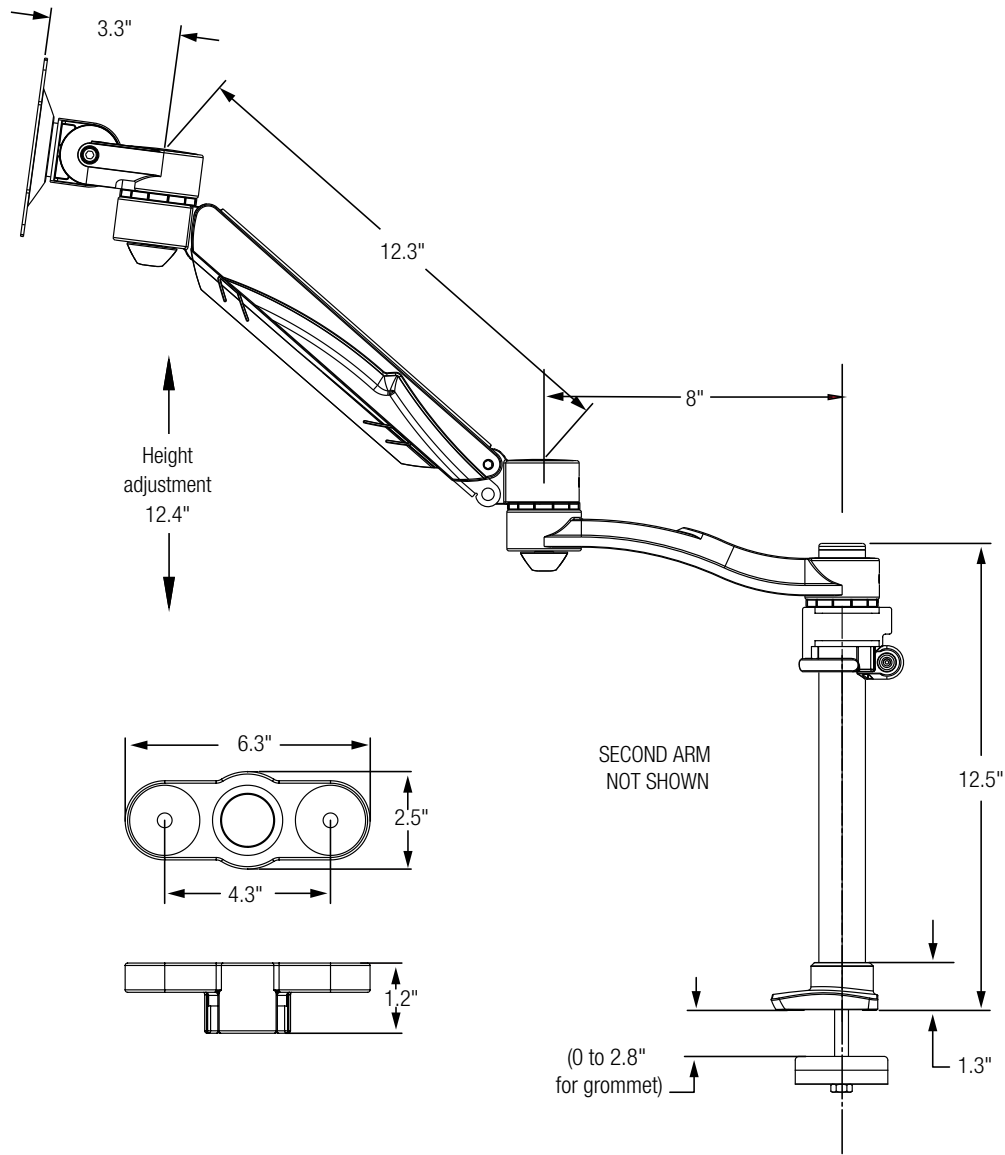
The Concerto supports a 20 lbs load capacity (per screen)

Cable manager keeps all cables organized

Grommet mount hardware included

Grommet adjustable to fit most desks and work surfaces

Monitor mounting bracket, with Quick Connect, contains 75mm and 100mm hole patterns to comply with VESA standards



Concerto with Height Adjustable Arm and Dual Hub 7800 series

| Model | Description |
|-----------|---|
| 7820SHD12 | Dual-Screen, two Double-Extension Arms, one height adjustable and one fixed, assembled together with Dual Hub |

Color Options

To specify color, other than silver, replace the "S" in the part number with:

B = Black **W** = White

For example, to get a "7820SHD12" in white, order 7820**W**HD12.



Note: Specifications are subject to change without notice.



950 Warden Avenue
 Toronto, Ontario, M1L 4E3
 1.800.837.8640
www.ise-ergonomics.com

ISE reserves the right to change product specifications at any time without notice and without incurring responsibility for existing units.
 ©2022 ISE International Source for Ergonomics.