




INTERNATIONAL
SOURCE FOR
ERGONOMICS

A  COMPANY



7830SD12



7820SD12

Concerto Dual Hub

Flexibility and modularity reach new heights with the Dual Mounting Hub from ISE. The monitor arm hub provides an ideal solution for multiple monitor configurations. Discover the unlimited possibilities with the 7820SD12 and 7830SD12.

7800 series

Features & Benefits

The Hub has a locking device to allow it to be firmly clamped to the pole, as well as preventing the hub from rotating, thereby eliminating any play from the monitors, while still allowing the monitor to tilt and swivel

Flexibility and more options for the end user by creating a level plane for the standard arm configurations, keeping the monitors at the same height

Hub provides the end-user with the ability to mount two (36" max. width) or three screens (18" max. width) monitors on a single pole

Modularity and scalability make this product one of the most adaptable monitor arm solutions available. Monitor arms can be added easily without using all new equipment or discarding parts.

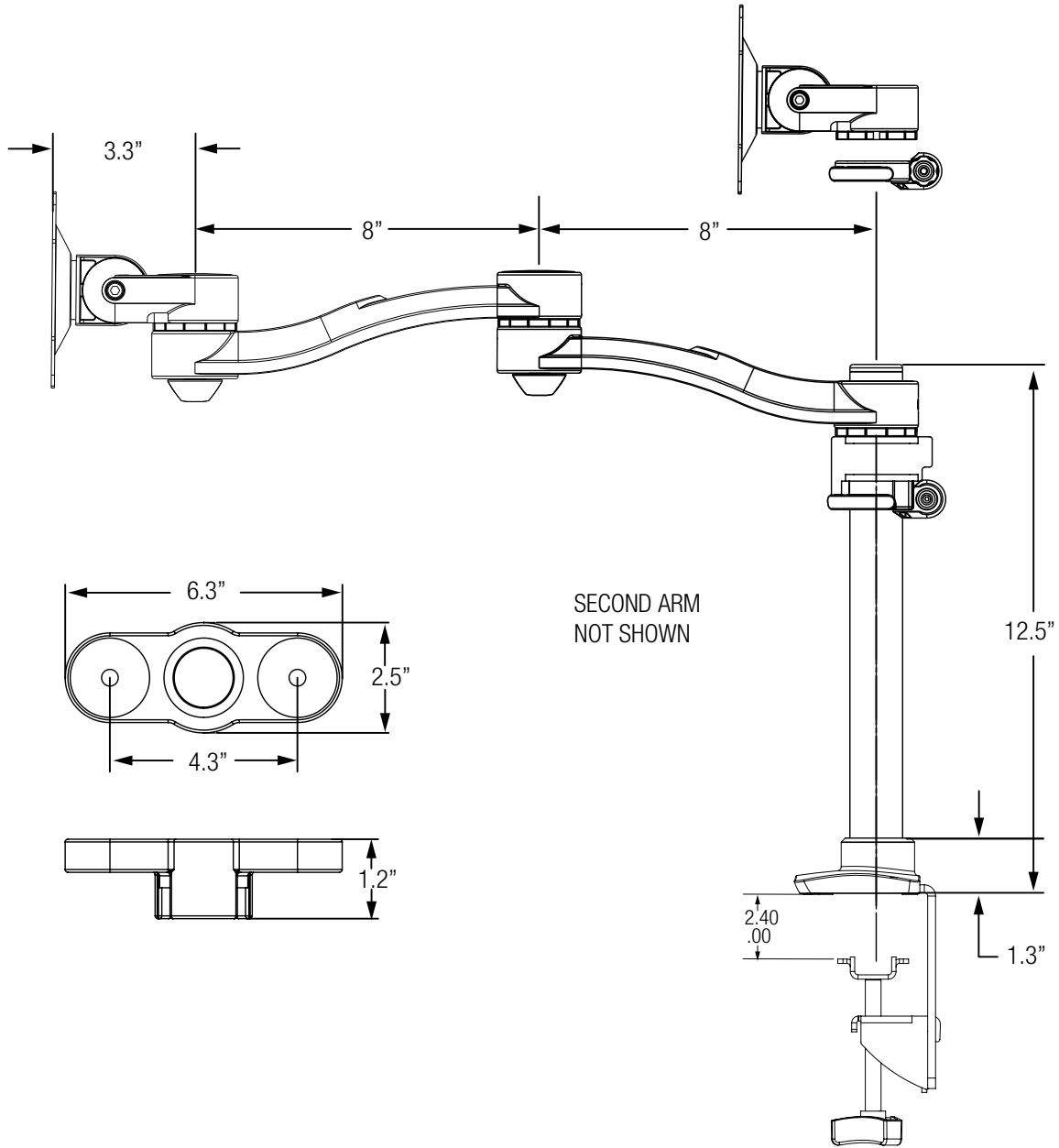
The Concerto supports a 20 lbs load capacity (per screen)

Cable manager keeps all cables organized

Desk clamp and grommet mount hardware are included to minimize SKUs

Clamp and grommet adjustable to fit most desks and work surfaces

Monitor mounting bracket, with Quick Connect, contains 75mm and 100mm hole patterns to comply with VESA standards

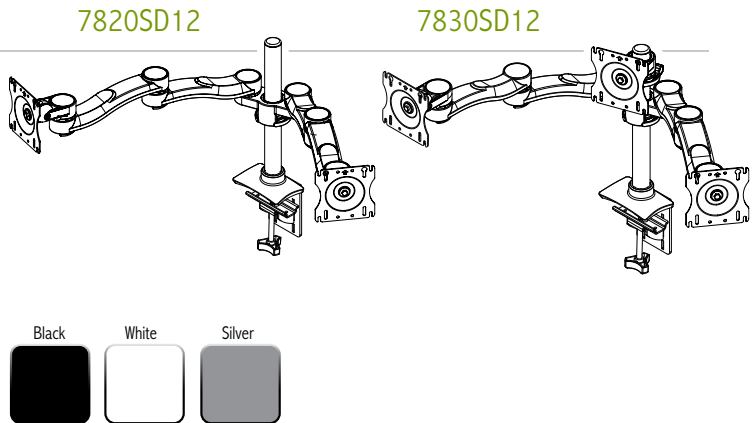


Concerto with Dual Hub 7800 series

Model	Description
7820SD12	Dual-Screen, two Double-Extension Arms, assembled together with Dual Hub
7830SD12	Triple-Screen, two Double-Extension Arms, assembled together with the Dual Hub, plus one Pole-Position Monitor Mount

Color Options

To specify color, other than silver, replace the "S" in the part number with:
B = Black **W** = White For example, to get a "7820SD12" in white, order 7820WD12.



Note: Specifications are subject to change without notice.