




INTERNATIONAL
SOURCE FOR
ERGONOMICS

A  COMPANY



7818SH

Concerto

The 7818 Concerto has been redesigned to incorporate a look that is comparable to the height adjustable segment. The longer arm provides an extended reach to increase the sit-to-stand capabilities, giving the end user greater ergonomic options.

7800 series

Features & Benefits

Flexibility and more options for the end user with a simple, easy-to-use Allen wrench adjustment

Double Extension models allow 25.1" of back and forth movement. Arm folds back to post for more desk space

The Concerto supports a 20 lbs load capacity (per screen)

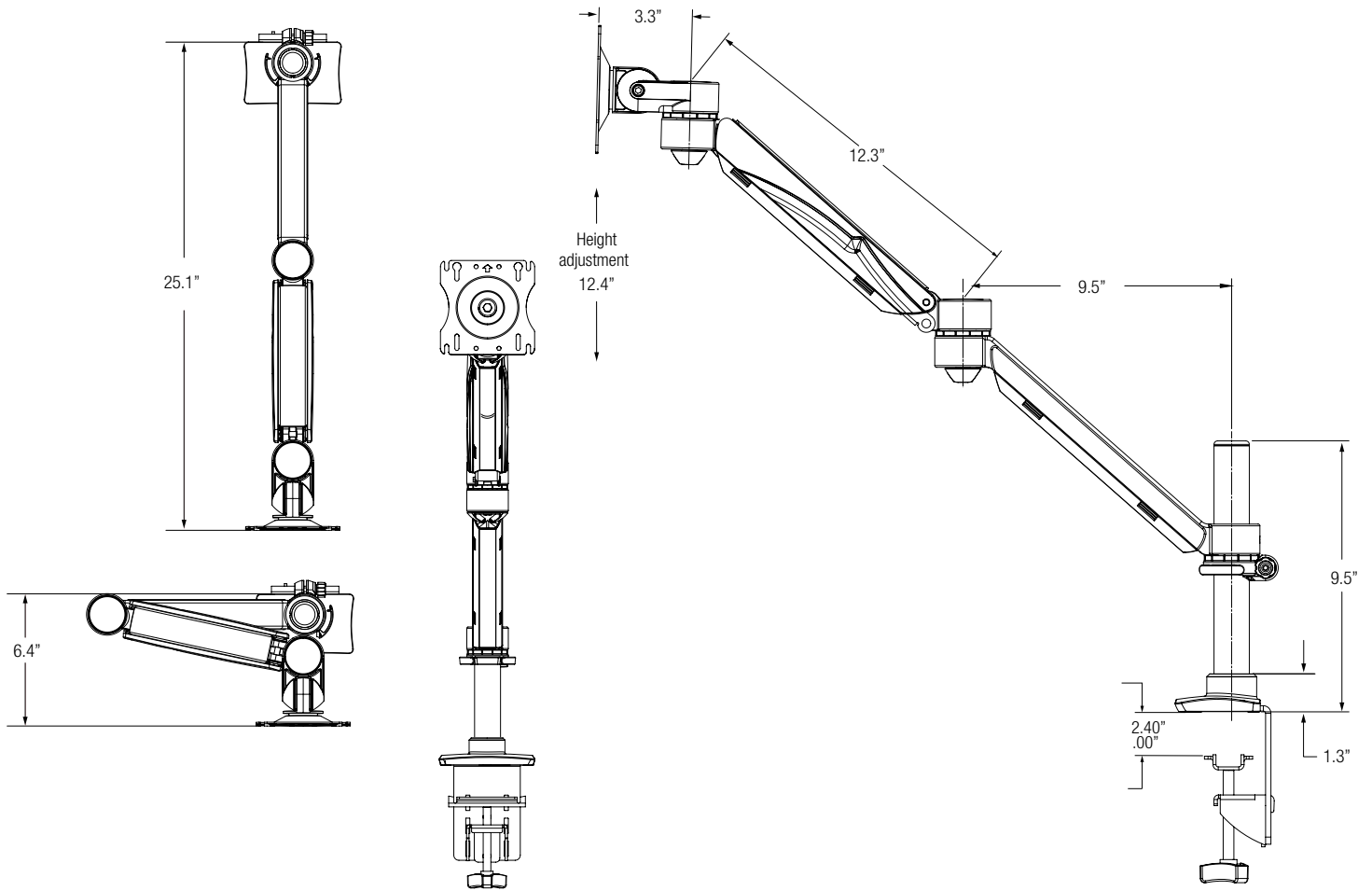
Desk clamp and grommet mount hardware are included to minimize SKUs

Clamp and grommet adjustable to fit most desks and work surfaces

Cable manager keeps all cables hidden

Monitor mounting bracket, with Quick Connect, contains both 75mm and 100mm hole patterns to comply with VESA standards

Choice of finishes – silver, white, black or polished



Concerto Height Adjustable Arm 7800 series

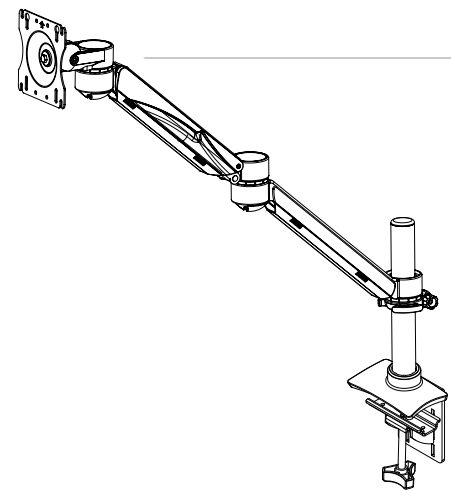
Model	Description
7818SH	Single-Screen, Double-Extension with one Height-Adjustable Segment and one Extended Fixed Segment

Color Options

To specify color, other than silver, replace the "S" in the part number with:

B = Black **W** = White **P** = Polished

For example, to get a "7818SH" in white, order 7818WH.



Notes: 1. Weight = packaged shipping weight per unit. 2. Specifications are subject to change without notice.



950 Warden Avenue
 Toronto, Ontario, M1L 4E3
 1.800.837.8640
www.ise-ergonomics.com

A COMPANY

ISE reserves the right to change product specifications at any time without notice and without incurring responsibility for existing units.
 ©2022 ISE International Source for Ergonomics.