




INTERNATIONAL
SOURCE FOR
ERGONOMICS

A  COMPANY



7815SH

Concerto

The Concerto is a stunning take on an already brilliant innovation from ISE. One part workhorse, one part museum piece, this monitor arm continues in the fine tradition of its predecessor and builds on a sterling reputation.

7800 series

Features & Benefits

Flexibility and more options for the end user with a simple, easy-to-use Allen wrench adjustment

Double Extension models allow 24" of back and forth movement. Arm folds back to post for more desk space

The Concerto supports a 20 lbs load capacity (per screen)

Options are available for panel, wall and slatwall mounting configurations

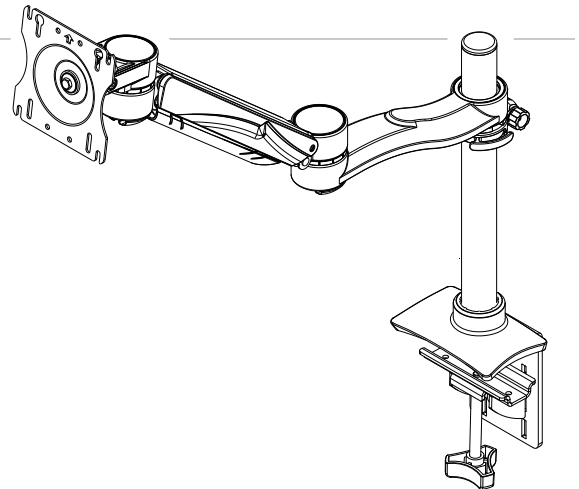
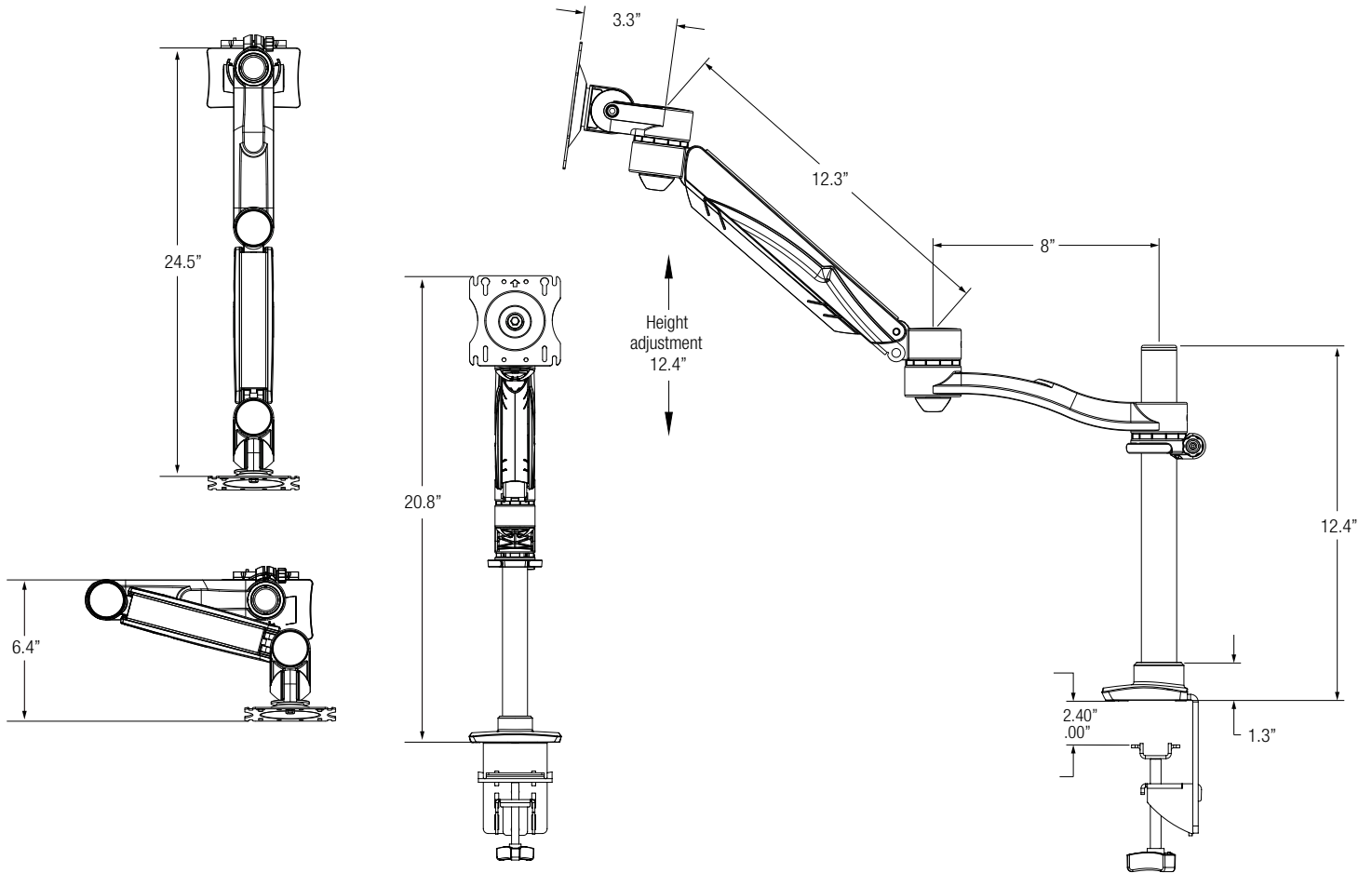
Desk clamp and grommet mount hardware are included to minimize SKUs

Clamp and grommet adjustable to fit most desks and work surfaces

Cable manager keeps all cables hidden

Monitor mounting bracket, with Quick Connect, contains both 75mm and 100mm hole patterns to comply with VESA standards

Choice of finishes – silver, white, black or polished



Concerto Height Adjustable Arm 7800 series

Model	Description
7815SH	Single-Screen, Double-Extension with one Height-Adjustable Segment

Color Options

To specify color, other than silver, replace the "S" in the part number with:

B = Black **W** = White **P** = Polished

For example, to get a "7815SH" in white, order 7815WH.



Notes: 1. Weight = packaged shipping weight per unit. 2. Specifications are subject to change without notice.



950 Warden Avenue
 Toronto, Ontario, M1L 4E3
 1.800.837.8640
www.ise-ergonomics.com

A COMPANY

ISE reserves the right to change product specifications at any time without notice and without incurring responsibility for existing units.
 ©2022 ISE International Source for Ergonomics.