
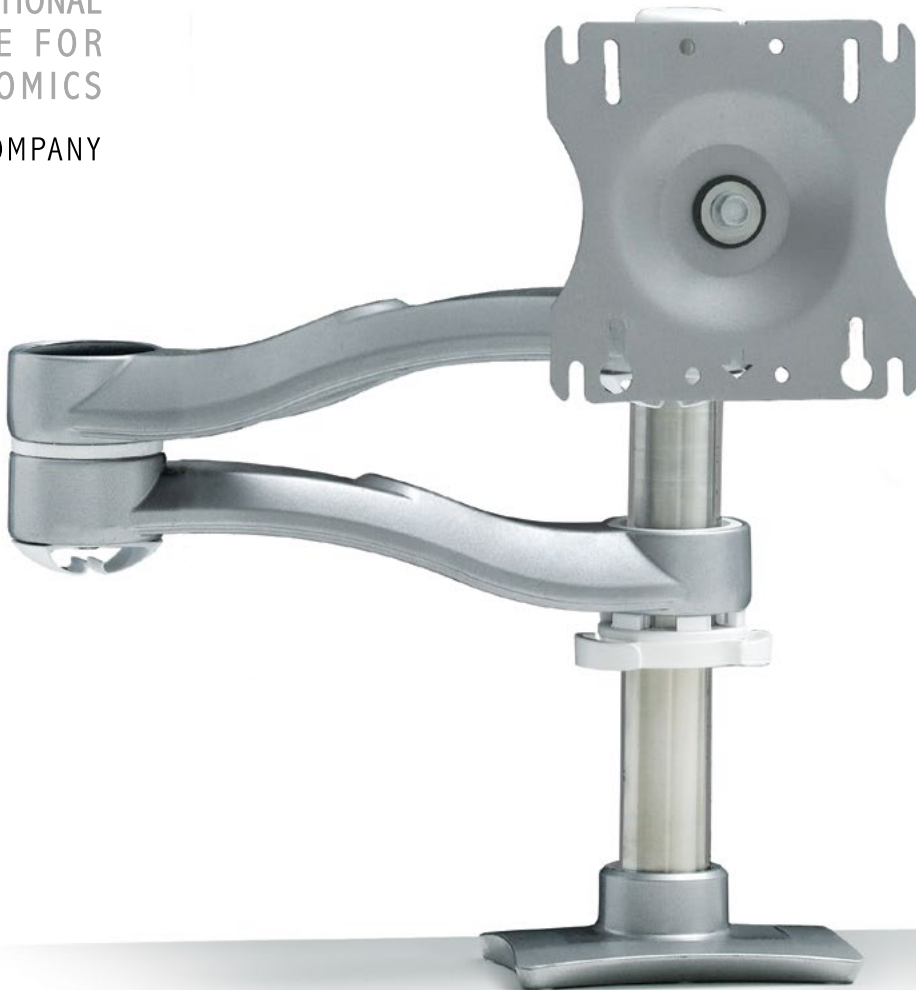




INTERNATIONAL  
SOURCE FOR  
ERGONOMICS

A  COMPANY



7815S

## Concerto

The 7815S Concerto fills the need in today's office for flat panel display support that can adapt to a wide variety of configurations and applications. This economical single screen, dual extension monitor arm gives the user the ability to quickly find the ultimate ergonomic position for the flat panel display at an affordable price.

### 7800 series

#### Features & Benefits

Double Extension models allow 20" of back and forth movement. Arm folds back to post for more desk space.

The Concerto supports a 20 lbs load capacity (per screen)

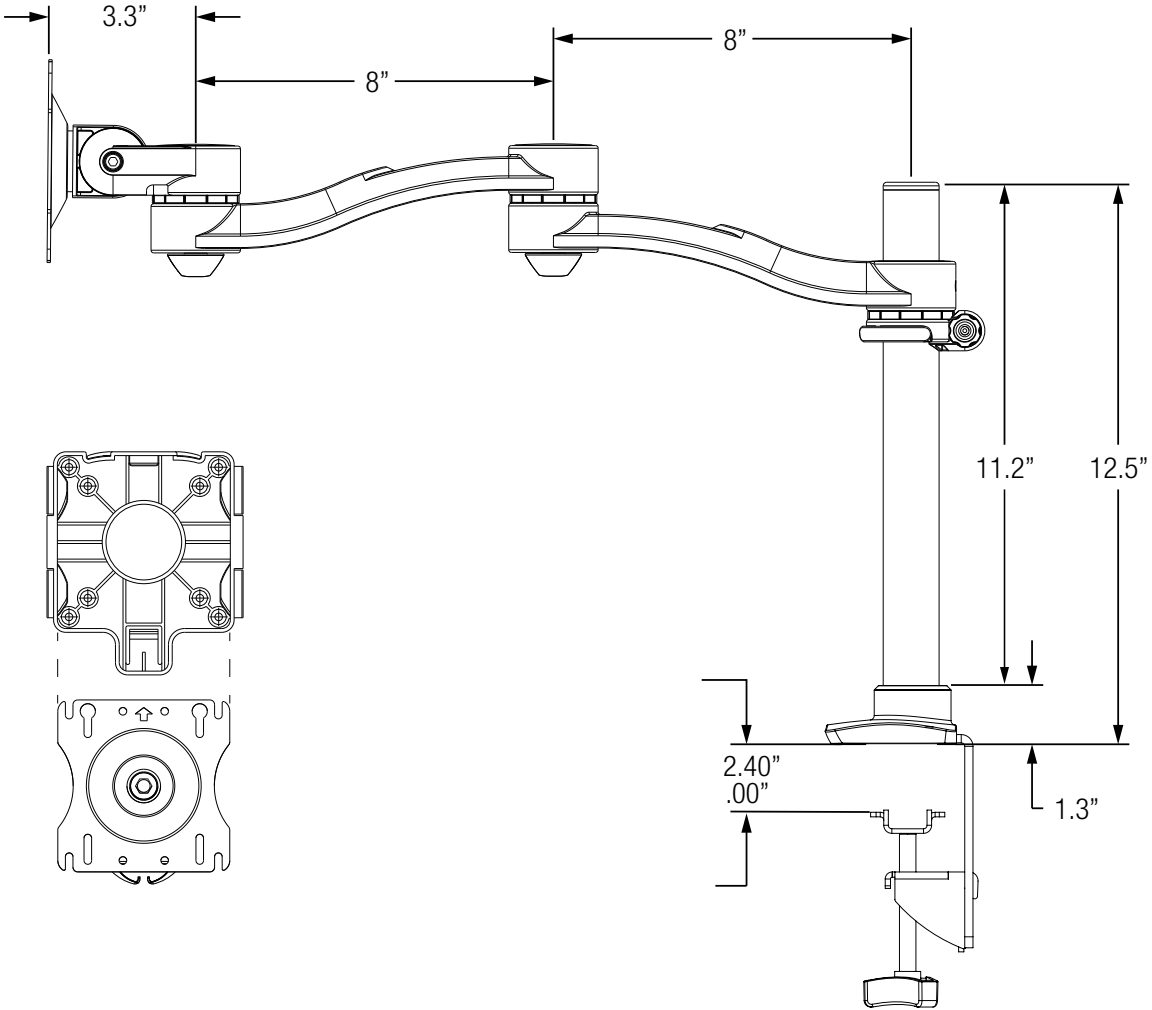
Options are available for panel, wall and slatwall mounting configurations

Desk clamp and grommet mount hardware are included to minimize SKUs

Clamp and grommet adjustable to fit most desks and work surfaces

Monitor mounting bracket, with Quick Connect, contains both 75mm and 100mm hole patterns to comply with VESA standards

Pole allows manual height adjustment through an 11.2" range



## Concerto Monitor Arm 7800 series

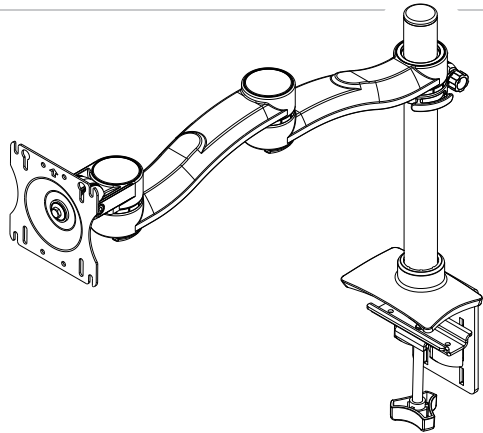
Model	Description
7815S	Single-Screen, Dual Extension

### Color Options

To specify color, other than silver, replace the "S" in the part number with:

**B** = Black   **W** = White   **P** = Polished

For example, to get a "7815S" in white, order 7815W.



Notes: 1. Weight = packaged shipping weight per unit. 2. Specifications are subject to change without notice.



950 Warden Avenue  
 Toronto, Ontario, M1L 4E3  
 1.800.837.8640  
[www.ise-ergonomics.com](http://www.ise-ergonomics.com)

ISE reserves the right to change product specifications at any time without notice and without incurring responsibility for existing units.  
 ©2022 ISE International Source for Ergonomics.