




INTERNATIONAL  
SOURCE FOR  
ERGONOMICS

A  COMPANY

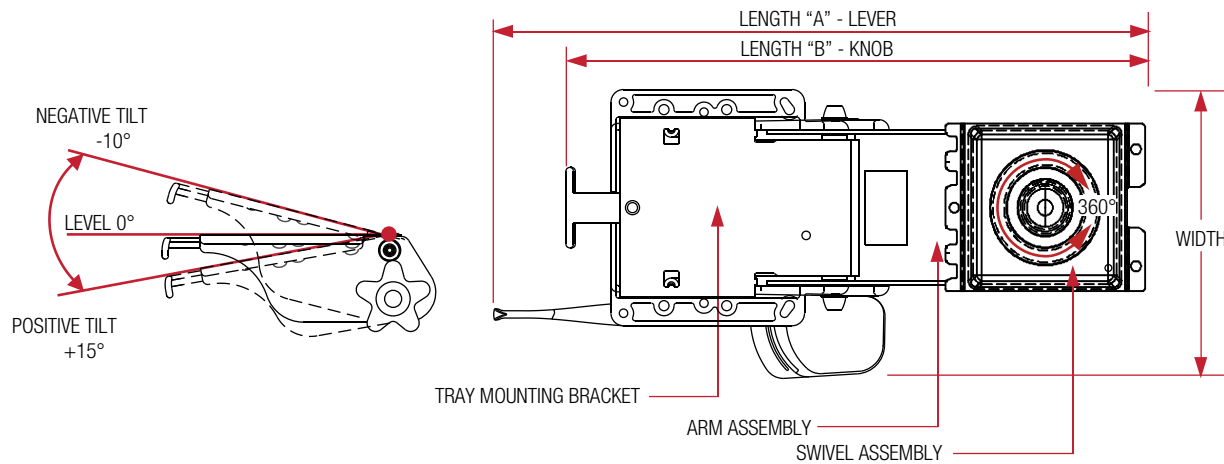
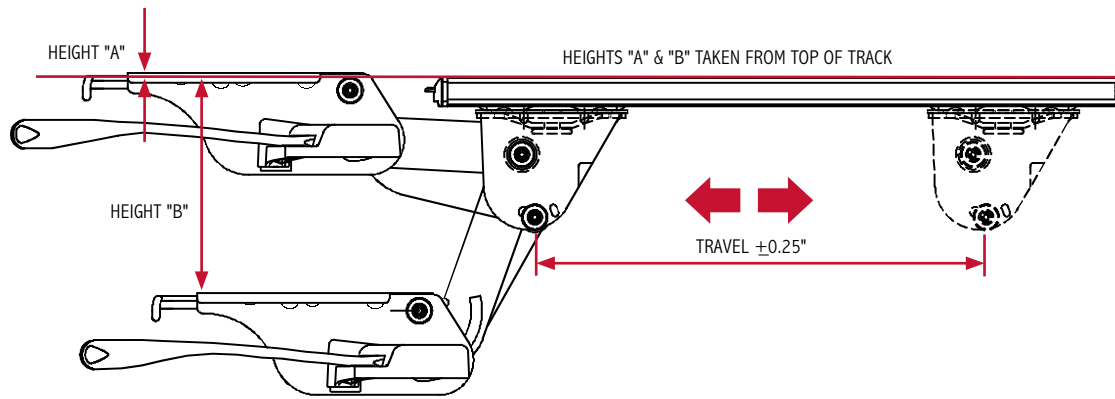


## Classic Arms

The 6100 Series keyboard arms are extremely rugged, built to withstand the kind of heavy workouts associated with data entry professionals, commercial users and students. All 6100 arms fully articulate with both independent height and tilt adjustment, allowing users to adjust keyboard in a variety of comfortable positions during the work day. The 6100 Series arms are equipped with a ball bearing storage track.

### 6100 series

Features	Benefits
Stable, durable design	Ideal for heavy typing use
Knob and lever control releases	Locks the arm during height adjustment
Tilt adjustment latch	Provides adjustment of +15° / -10° tilt
Adjustable extension bracket	Use for corner applications
Meets or exceeds ANSI/BIFMA standards	Quality assured manufacturing
360° swivel	User can move keyboard freely from side to side
Stores on ball bearing track	Frees up space in front of desk. Full storage with minimal effort.

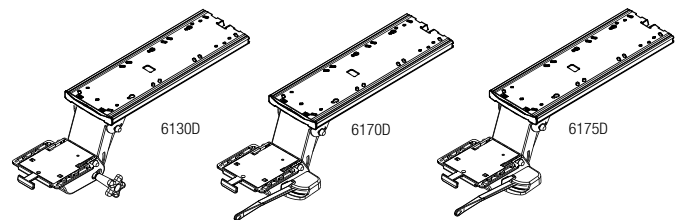


## Classic Arms 6100 series

### Ancillary Products:

- Compatible with most ISE keyboard trays
- Use with ISE CPU holders
- For flat panel displays, specify the Concerto flat panel support system

Model	(A) Height	(B)	Width	Length	Travel	Track Size	Track Style	Weight
6130D	0.1"	5.7"	7.9"	14.2"	12.0"	16.75"	Ball bearing	9.0 lbs
6130D21	0.1"	5.7"	7.9"	14.2"	16.0"	21.75"	Ball bearing	9.8 lbs
6135D	0.1"	5.7"	7.9"	14.2"	12.0"	21.75"	Ball bearing	8.0 lbs
6170D	0.1"	5.7"	7.2"	16.3"	12.0"	17.00"	Ball bearing	9.3 lbs
61702100	0.1"	5.7"	7.2"	16.3"	16.0"	21.75"	Ball bearing	10.1 lbs
6175D	0.1"	5.7"	7.2"	20.0"	12.0"	21.75"	Ball bearing	11.8 lbs



Black wrinkle paint



Notes: 1. Weight = packaged shipping weight per unit. 2. Specifications are subject to change without notice.