




INTERNATIONAL  
SOURCE FOR  
ERGONOMICS

A  COMPANY

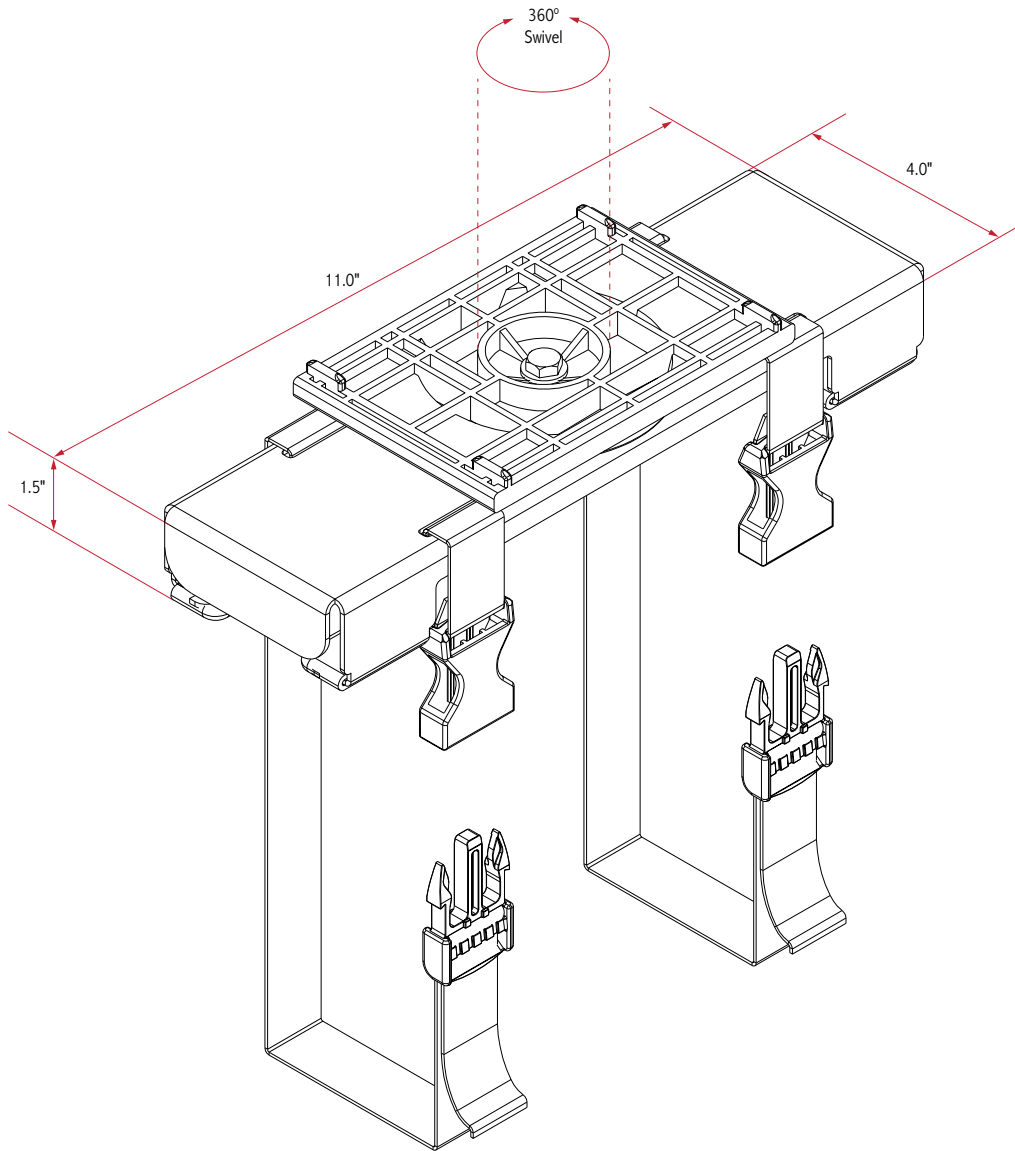


7325D17

## CPU Holder

The ISE Dual Strap CPU holder is a streamlined and adjustable device with an innovative strap-support design. This enables the CPU to be off the floor or desking surface to create a space-saving solution. By elevating the unit, the users also benefit from its easy accessibility.

Features	Benefits
CPU retracts on a 17" glide track and swivels to allow full accessibility and easy storage	Frees up floor or desk space and makes for a safer work environment
Accommodates CPU's weighing up to 30 lbs and measuring 64" in perimeter	Flexible, strong and versatile
Installation is quick and easy as straps adjust and fasten with buckles	Can be customized for every workstation
Soft touch Anti-slip pads protect the CPU	Supports and protects both rectangular and curved CPU's

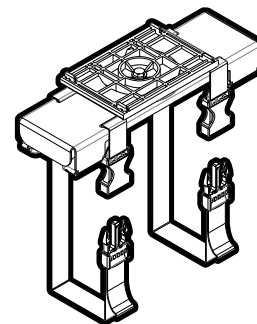


## CPU Holder 7300 series

### Ancillary Products:

- ISE CPU Holders are an ideal complement to any ISE keyboard support
- For flat panel displays, specify the Concerto flat panel support system

Model	Width Adjustment	Weight	Weight Capacity	Swivel	Track Size
7325D17	64.0" maximum	3.6 lbs	30 lbs	360°	17.0"



Finish: Black

Notes: 1. Weight = packaged shipping weight per unit. 2. Specifications are subject to change without notice.



950 Warden Avenue  
 Toronto, Ontario, M1L 4E3  
 1.800.837.8640  
[www.ise-ergonomics.com](http://www.ise-ergonomics.com)

ISE reserves the right to change product specifications at any time without notice and without incurring responsibility for existing units.  
 ©2022 ISE International Source for Ergonomics.