
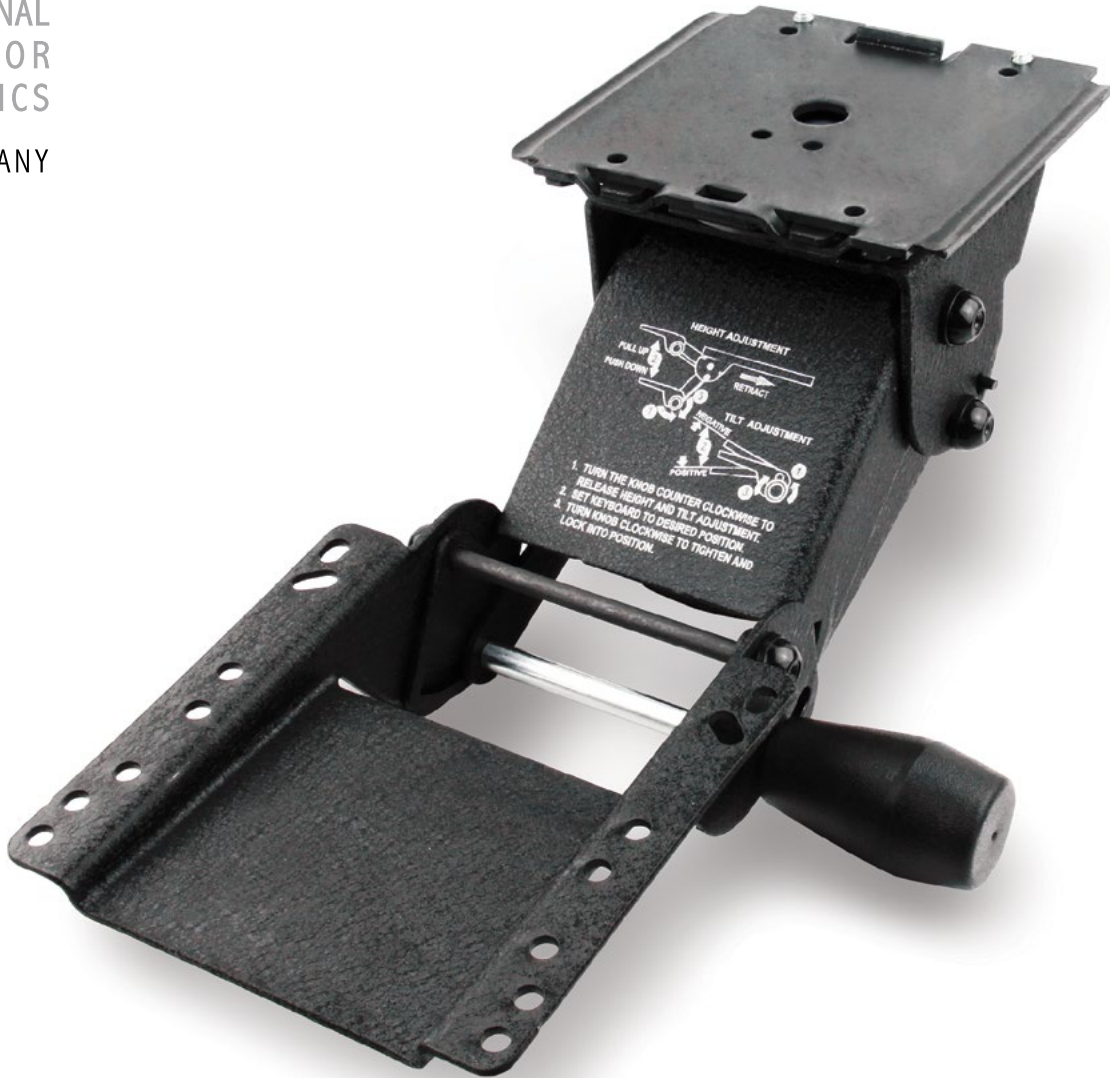




INTERNATIONAL
SOURCE FOR
ERGONOMICS

A  COMPANY

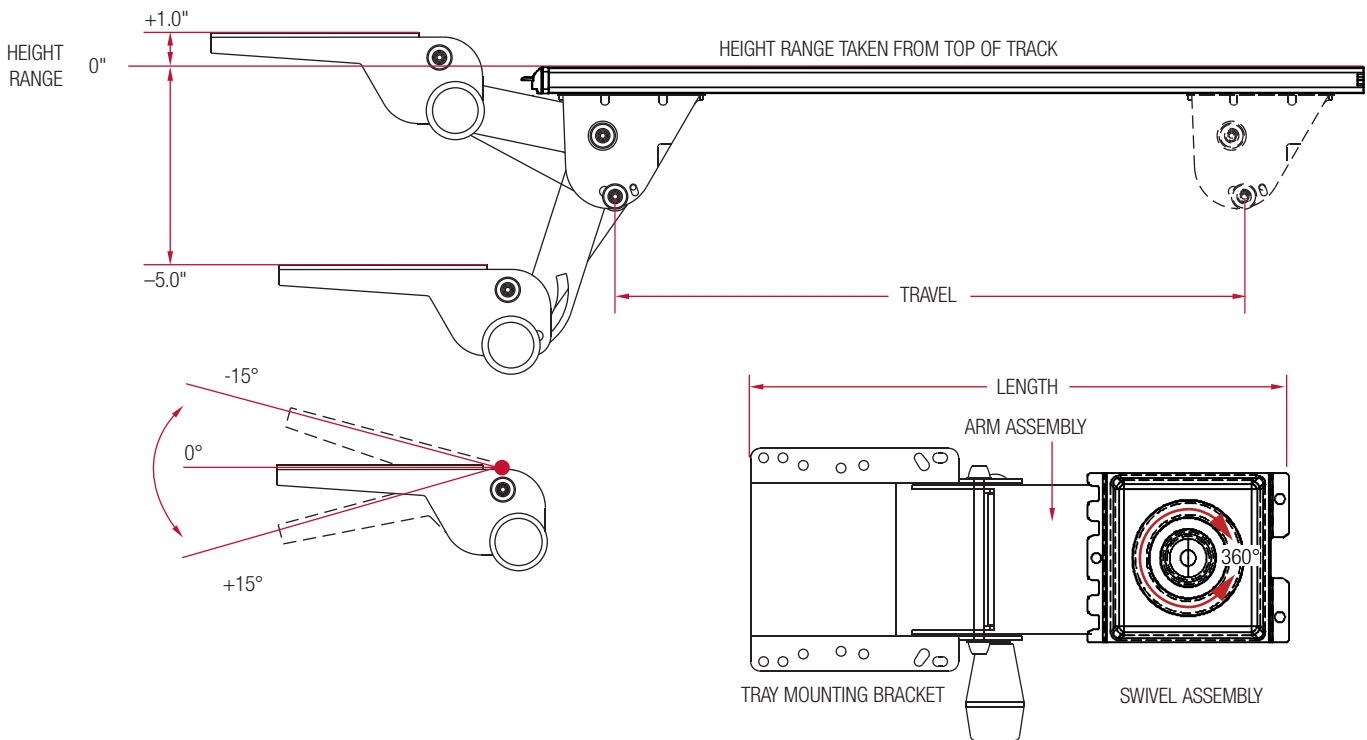


6733M

Even with an entry-level arm, you benefit from all the research and patented technology that only ISE can bring you.

6733M series

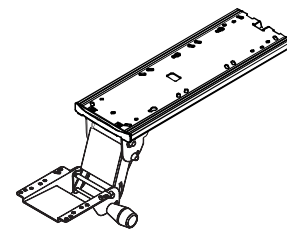
| Features | Benefits |
|--|--|
| Soft-touch knob for simultaneous height and tilt adjustment | Easy to use, all-in-one adjustment |
| Spring-assisted to help counter balance keyboard and tray weight | Easy to position keyboard to precise location |
| Low-profile design | Provides maximum leg room |
| 360° swivel | User can move keyboard freely from side to side |
| Stores on ball bearing track | Frees up space in front of desk. Full storage with minimal effort. |



6733M

Ancillary Products:

- Economy Arm is an ideal complement to the Economy clamp tray and mouse tray
- Compatible with most ISE keyboard trays
- Use with ISE CPU holders
- For flat panel displays, specify the Concerto flat panel support system



| Model | Height Range | Tilt | Length | Travel | Track Size | Track Style | Weight |
|---------|---------------|-----------|--------|--------|------------|--------------|----------|
| 6733M16 | +1.0" / -5.0" | -15°/+15° | 13.4" | 16.1" | 17.00" | ball bearing | 9.2 lbs |
| 6733M21 | +1.0" / -5.0" | -15°/+15° | 13.4" | 16.1" | 21.75" | ball bearing | 10.2 lbs |



Finish: Black
Code Compliance: Exceeds ANSI/BIFMA standards

Notes: 1. Weight = packaged shipping weight per unit. 2. Specifications are subject to change without notice.