




INTERNATIONAL  
SOURCE FOR  
ERGONOMICS

A  COMPANY

# Static Monitor Arms

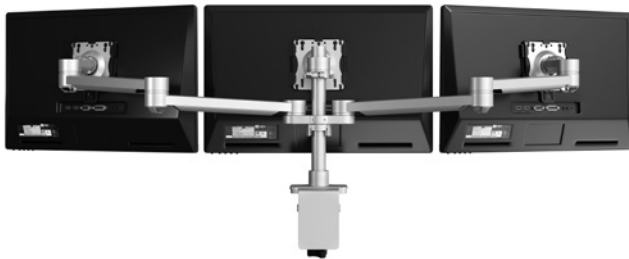
ISE's static monitor arms are designed to mount multiple monitors in many configurations. Designed for control centers, security stations, trader desks, gaming or any multiple monitor static positioning use requirement. Mount from 1 to 6 monitors up to 3 wide, single row or over under stacked configurations to meet special multiple monitor mounting needs.



72-101-12S



72-202-12S



72-303-12S



72-422-30S



72-523-30S



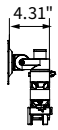
72-633-30S

## Specifications

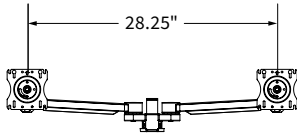
- Supports one monitors up to 16 pounds
- 2 Piece C-Clamp and Grommet Mount included
- Quick Release Adapter for quick and easy monitor mounting included
- Sturdy cast aluminum alloy and steel construction
- Maximum Monitor Actual Height: 15"
- Maximum Monitor Actual Width: 26"
- Standard VESA mount (75 mm & 100 mm)
- Monitor:
  - Tilt: +45°/-90°
  - Pivot: +/-180°
  - Rotation: +/-180°
- Monitor Rotation: 360 degrees
- Environmentally friendly powder-coat finish
- Color: Silver
- Warranty: 10 years

## Dimensions

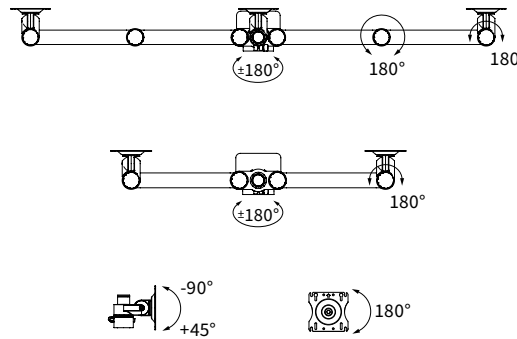
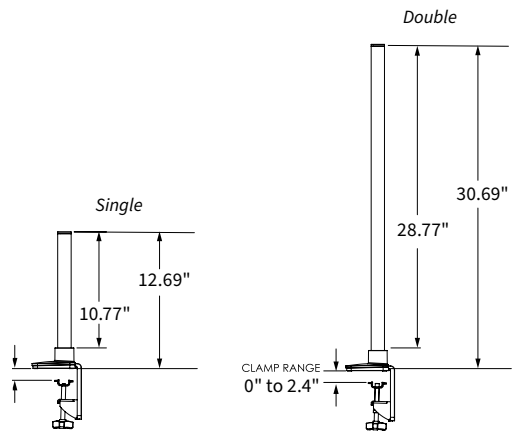
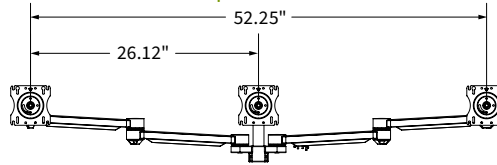
### Single Mount



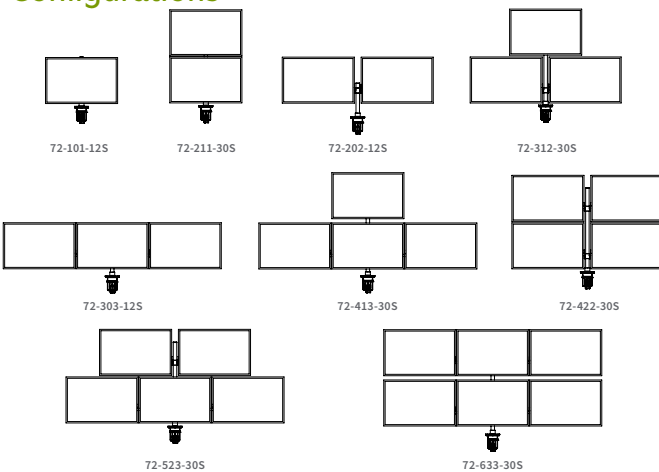
### Dual Mount



### Triple Mount



## Configurations



Number of Monitors	Orientation	Model #
1	Single	72-101-12S
2	1 over 1	72-211-30S
	Side by Side	72-202-12S
3	1 over 2	72-312-30S
	Side by Side	72-303-12S
4	1 over 3	72-413-30S
	2 over 2	72-422-30S
5	2 over 3	72-523-30S
6	3 over 3	72-633-30S

Finish: Silver



INTERNATIONAL  
SOURCE FOR  
ERGONOMICS

A COMPANY

950 Warden Avenue  
Toronto, Ontario, M1L 4E3  
1.800.837.8640  
[www.ise-ergonomics.com](http://www.ise-ergonomics.com)

ISE reserves the right to change product specifications at any time without notice and without incurring responsibility for existing units.  
©2022 ISE International Source for Ergonomics.